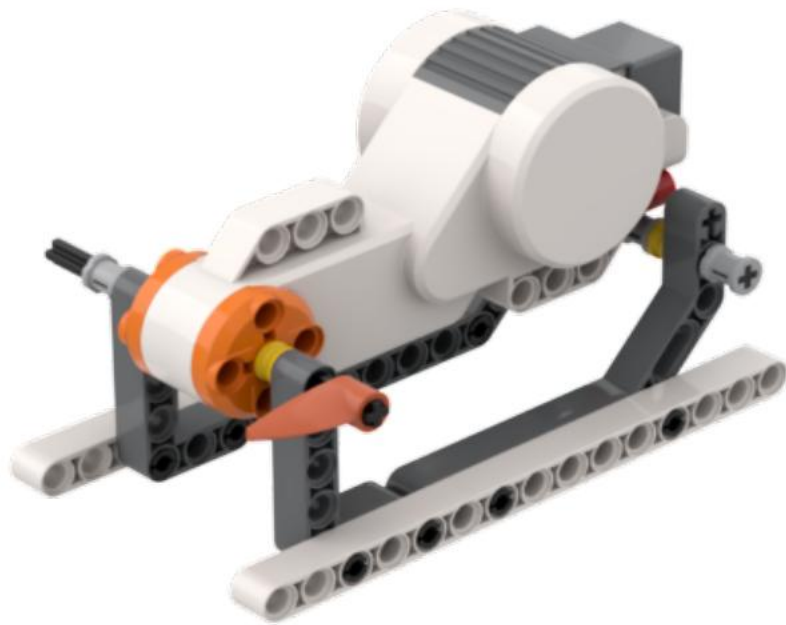
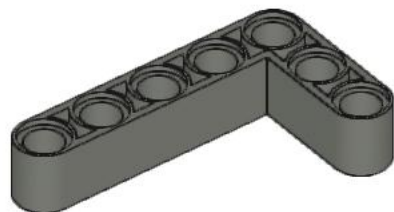


# Lego NXT Motor Stand (for testing open-loop step response)





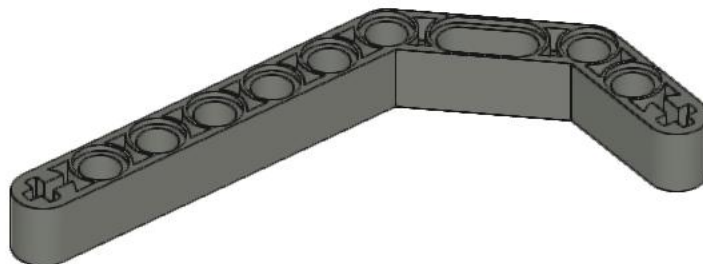
10x  
2780  
Black



2x  
32526  
Dark Bluish Gray



1x  
3707  
Black



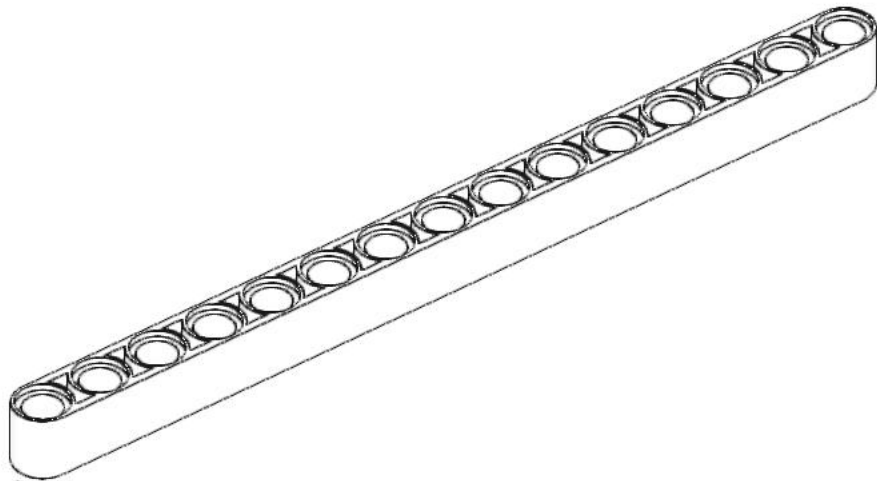
2x  
32009  
Dark Bluish Gray



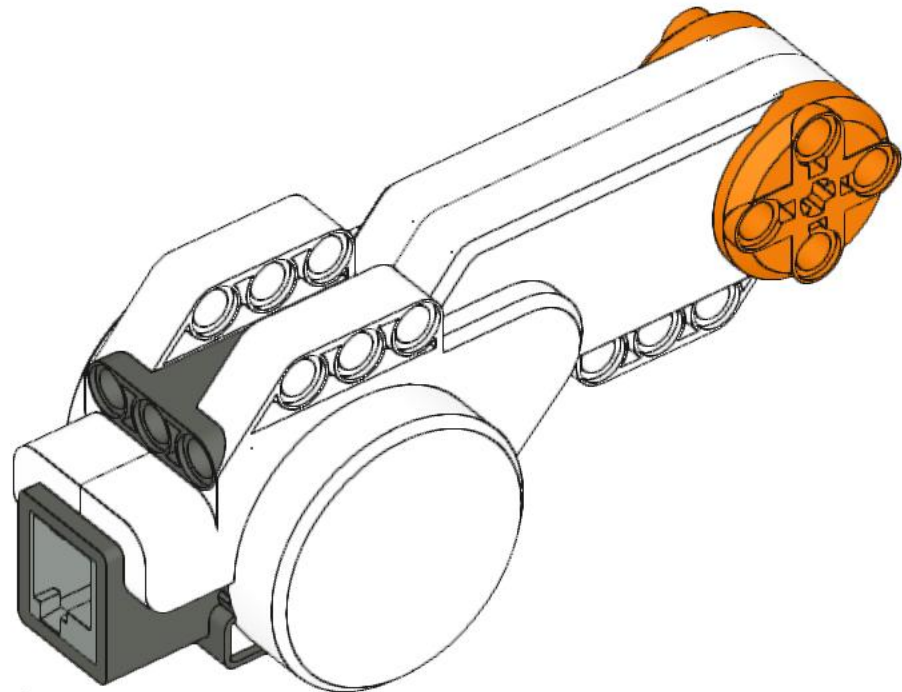
1x  
3737  
Black



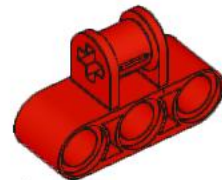
5x  
3713  
Light Bluish Gray



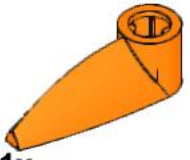
2x  
32278  
White



1x  
53787  
White



1x  
63869  
Red

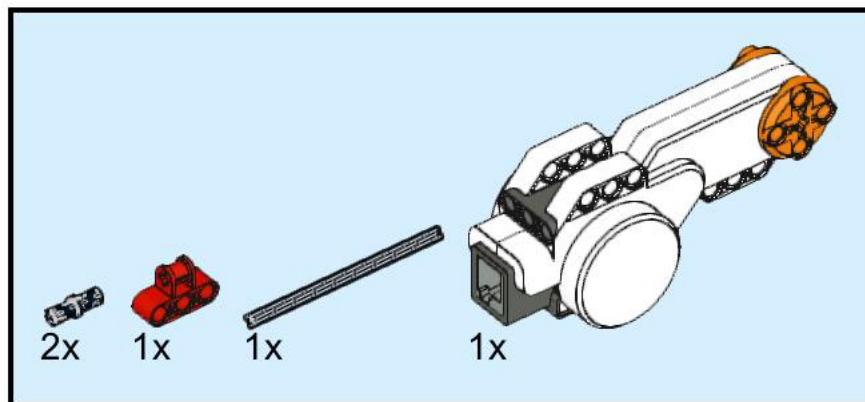


**1x**  
**41669**  
**Fabuland Red**

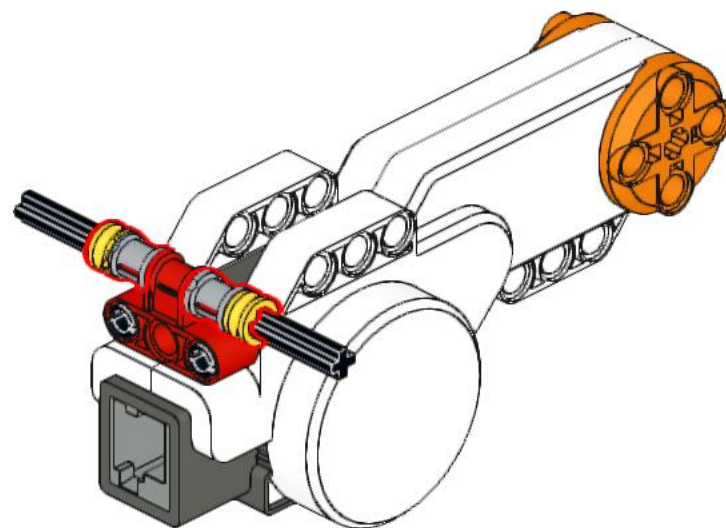
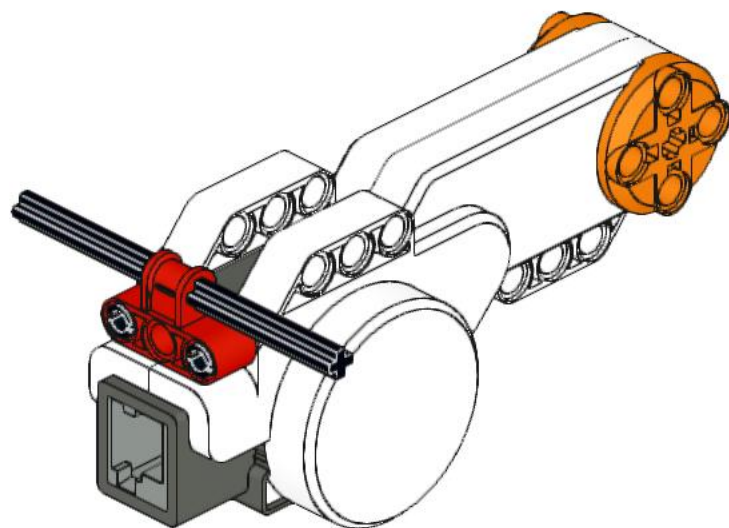


**4x**  
**4265c**  
**Yellow**

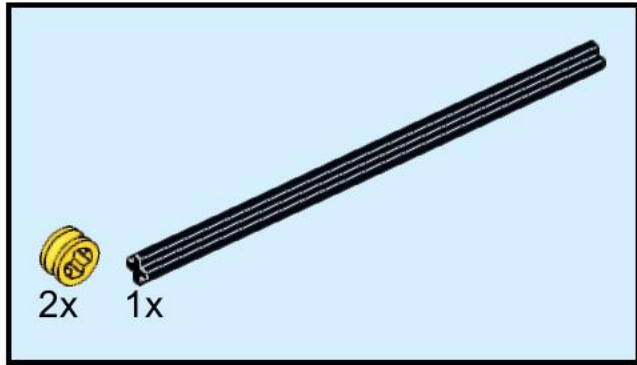
# 1



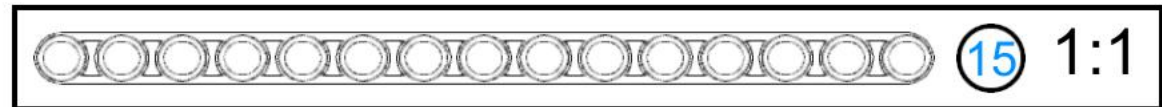
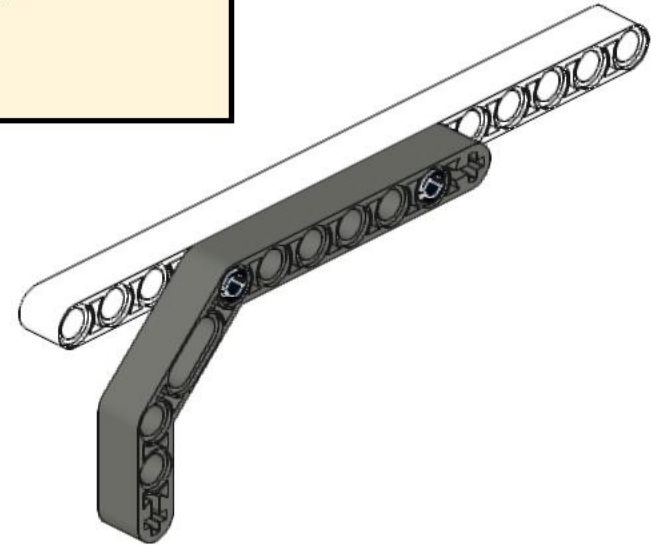
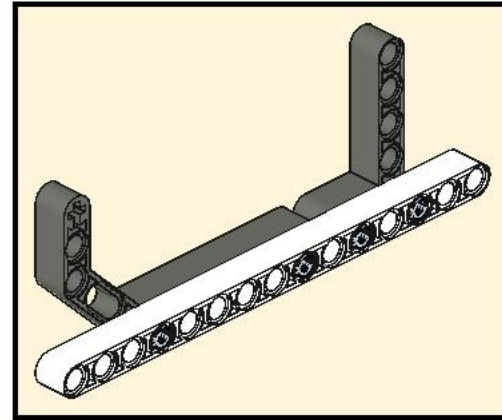
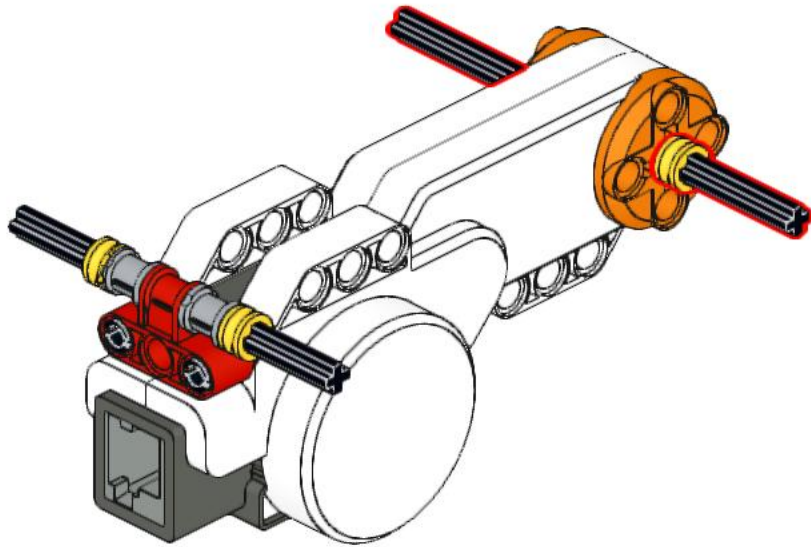
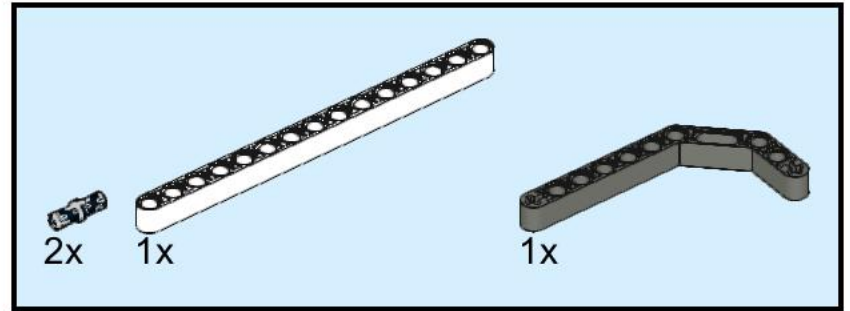
# 2



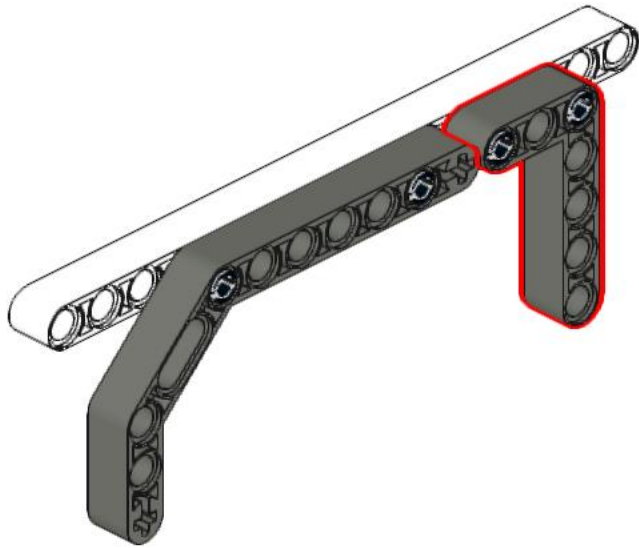
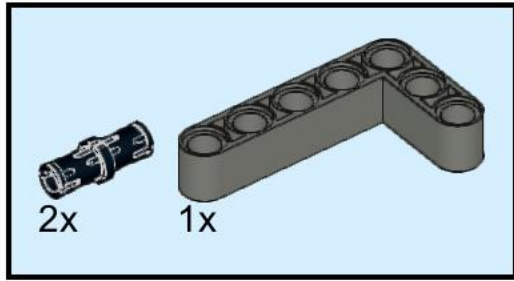
# 3



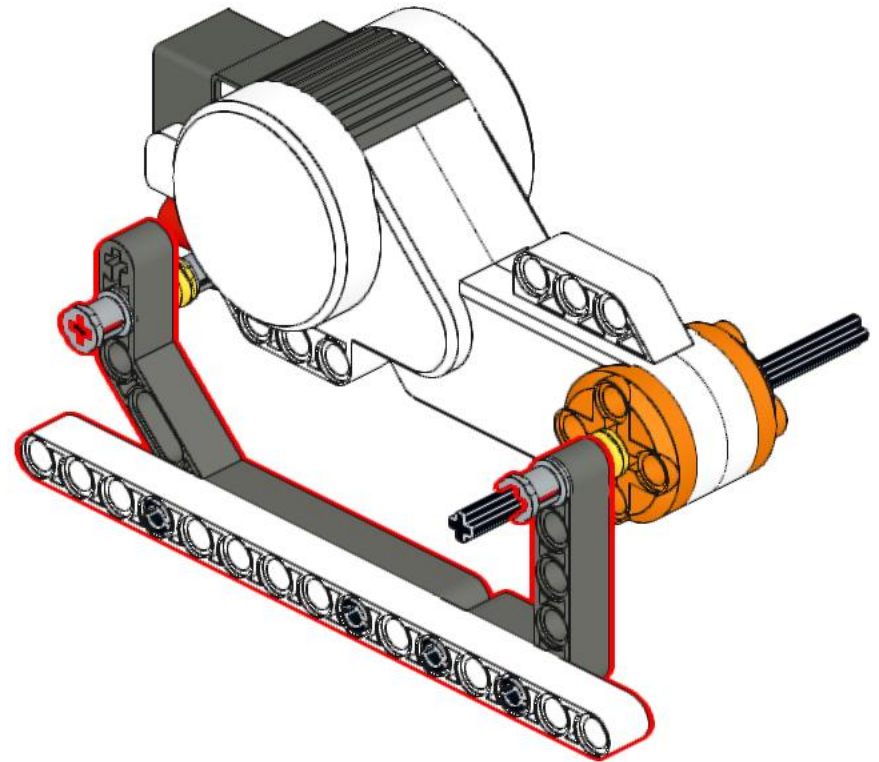
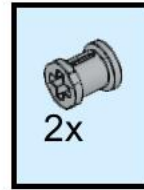
# 4



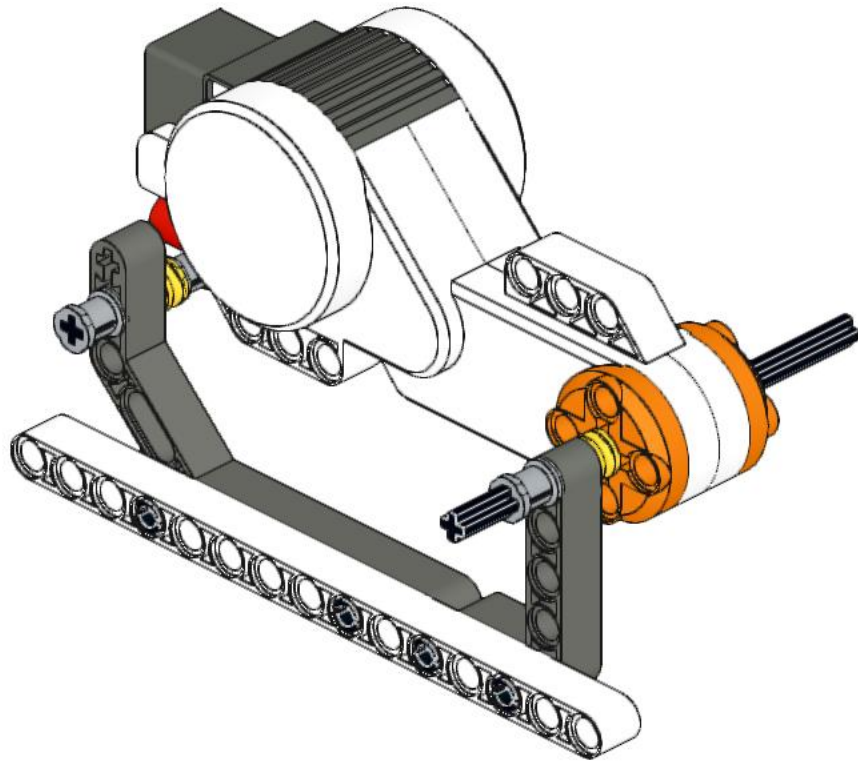
5



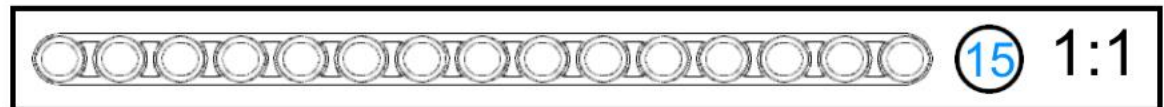
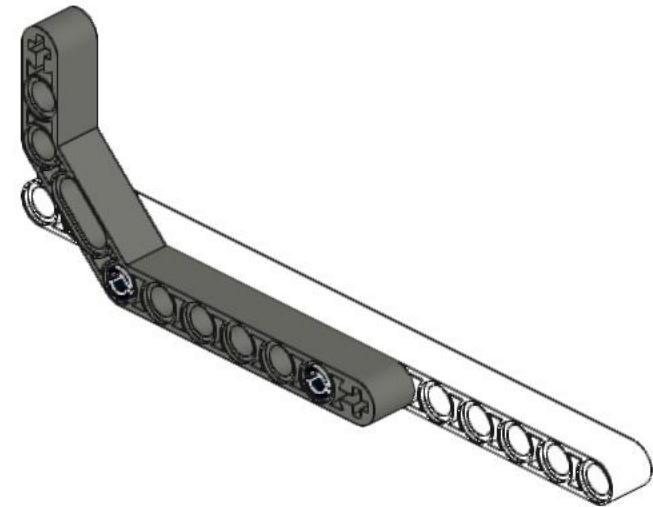
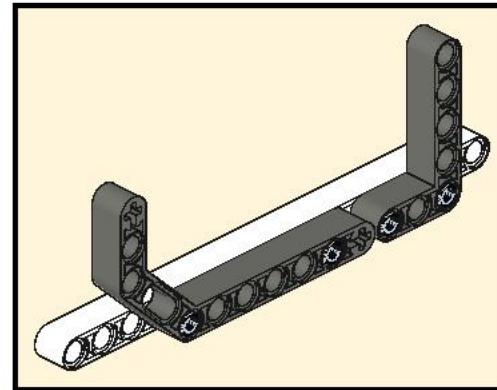
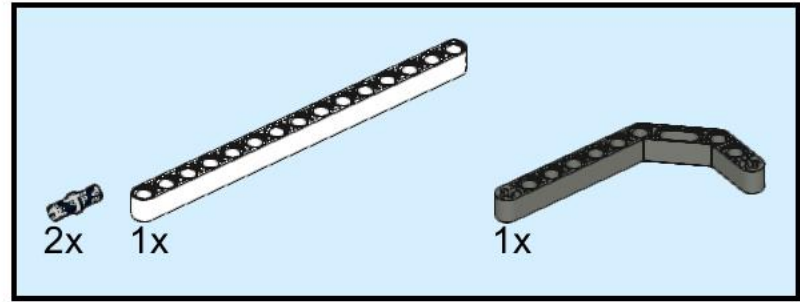
6



# 7

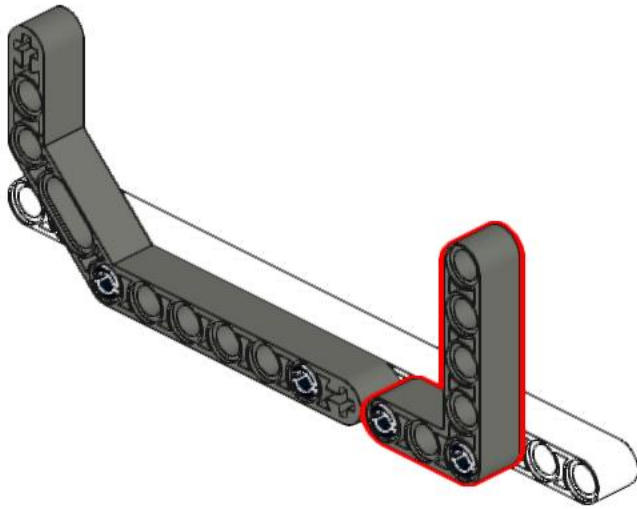
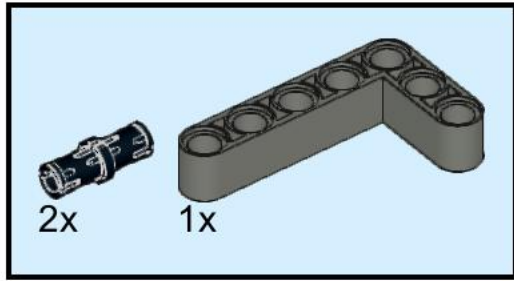


# 8





# 9



# 10

