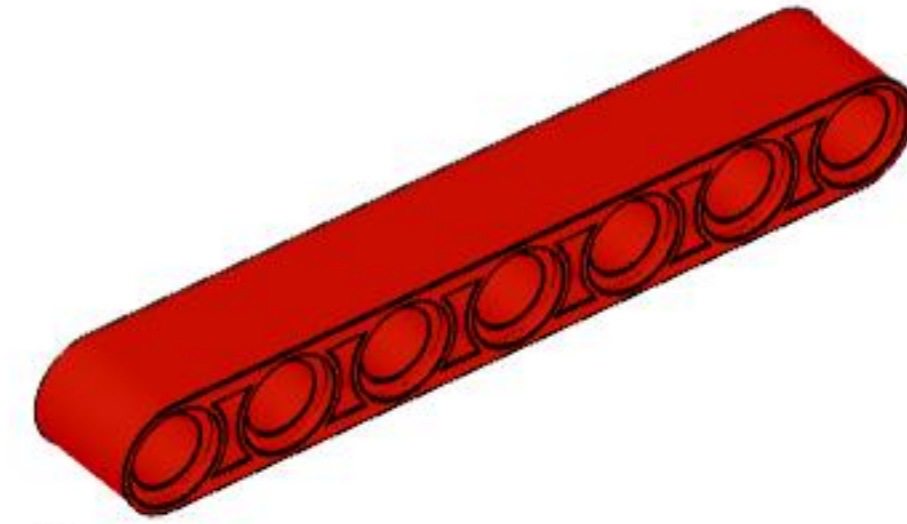
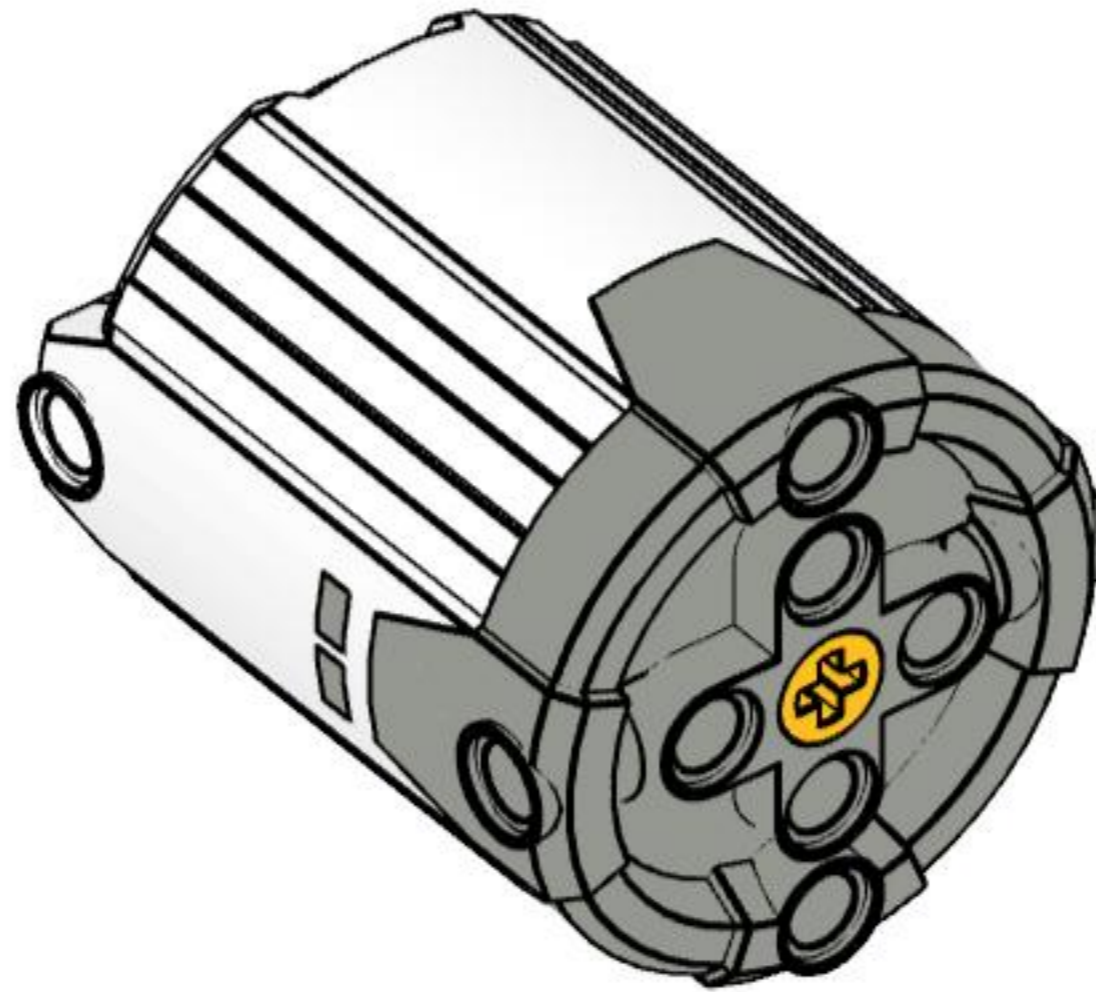




6x  
2780, 11



2x  
55615, 9



2x  
32524, 5



1x  
3705, 11



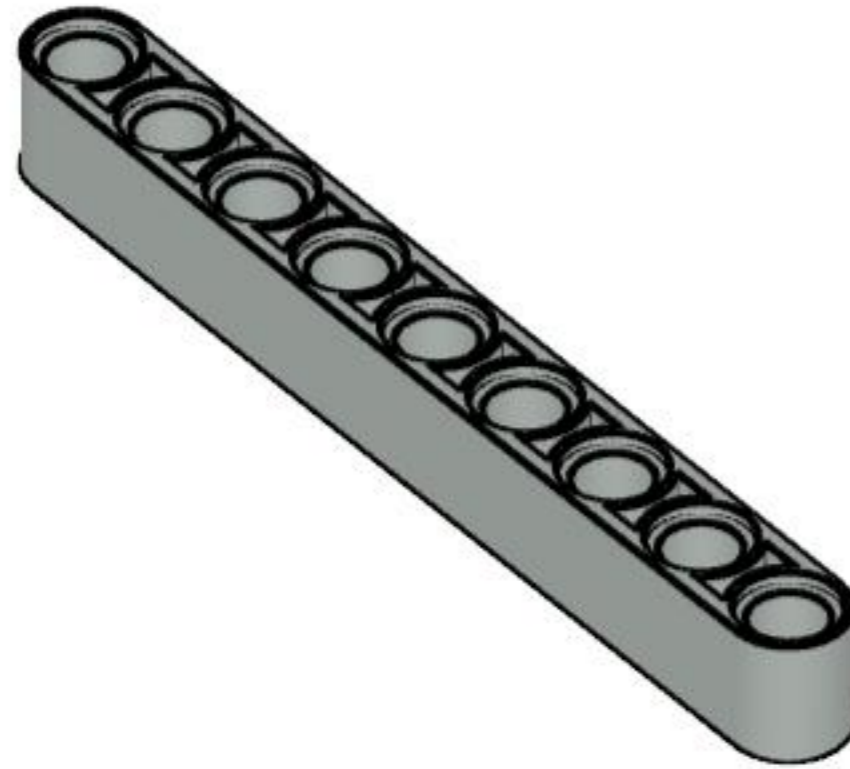
1x  
3713, 9



3x  
32013, 4

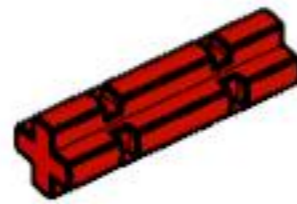


3x  
4519, 9



1x  
40490, 9

1x  
58121c01, 1



3x  
32062, 5



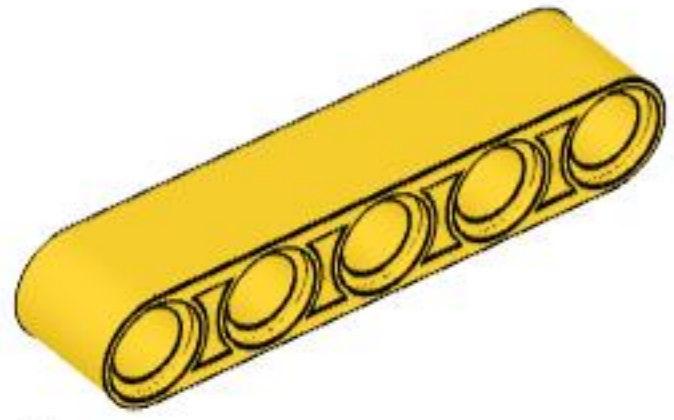
2x  
3749, 2



4x  
32039, 5



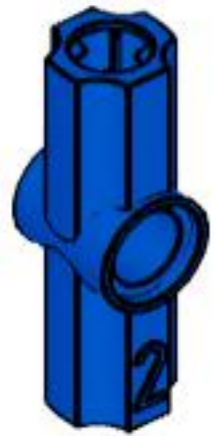
4x  
6632, 3



4x  
32316, 3

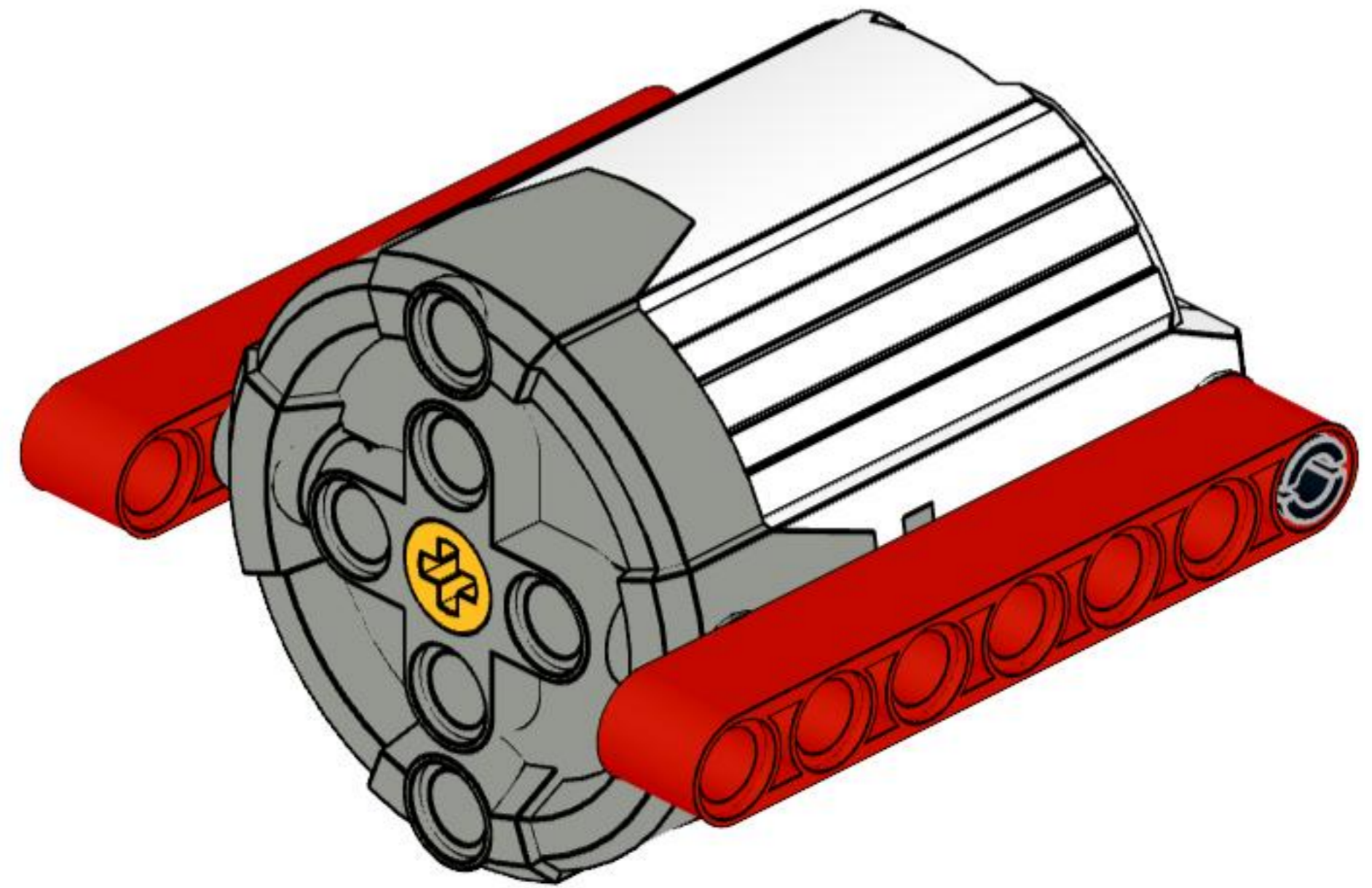
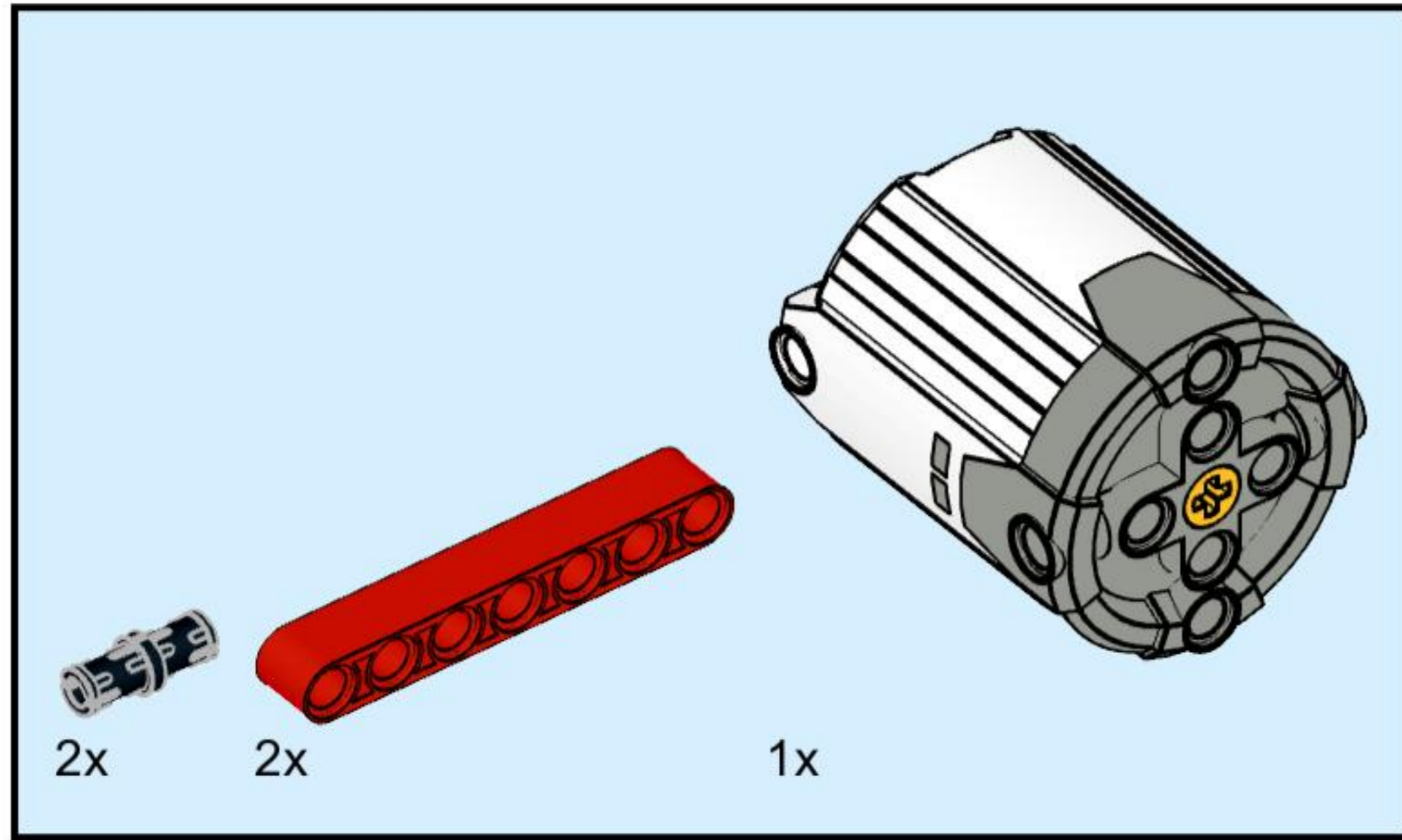


2x  
6558, 7

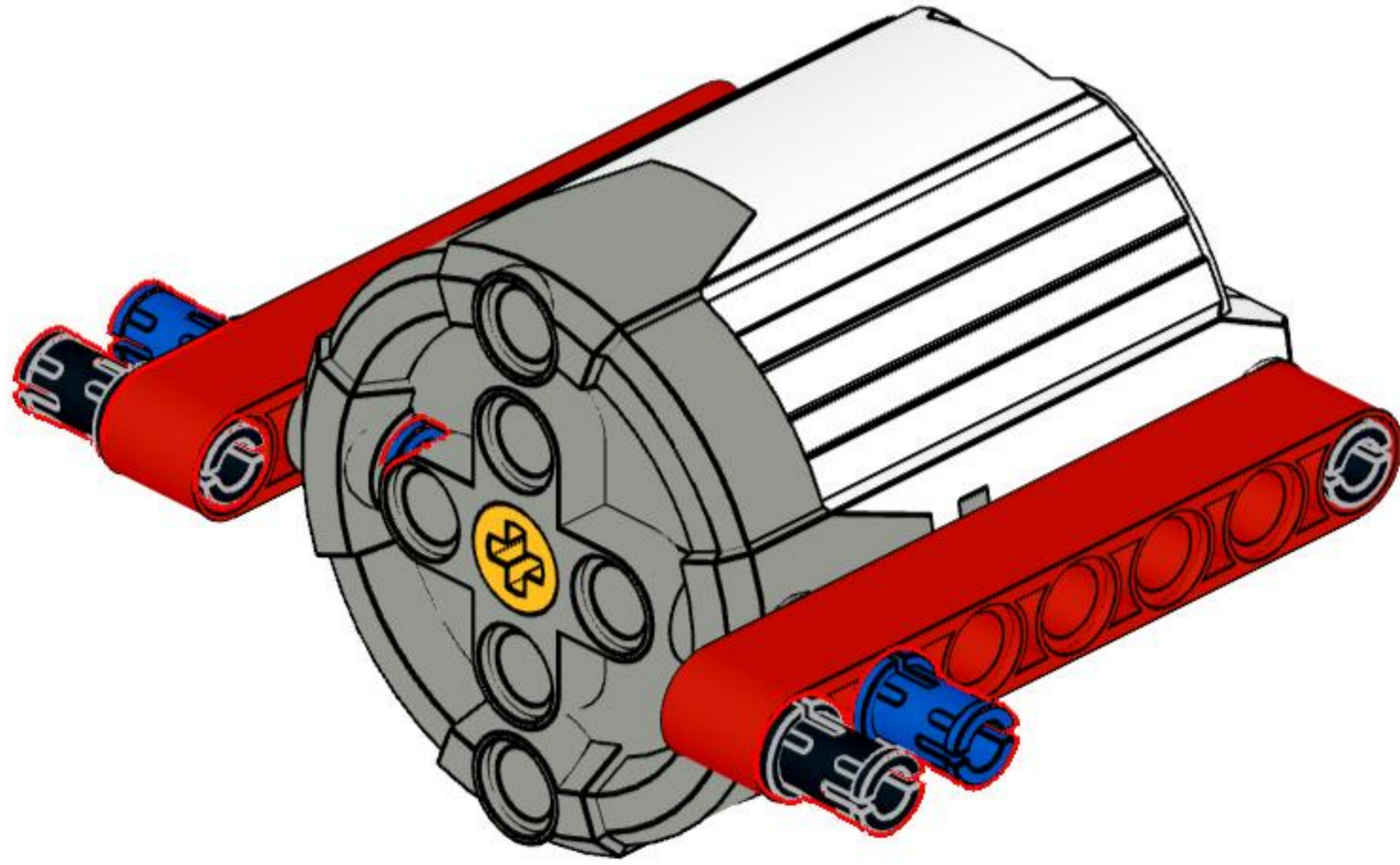
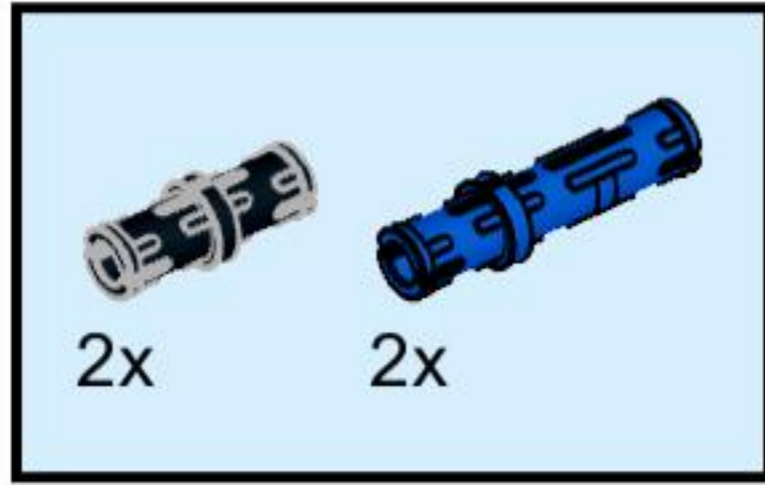


1x  
32034, 7

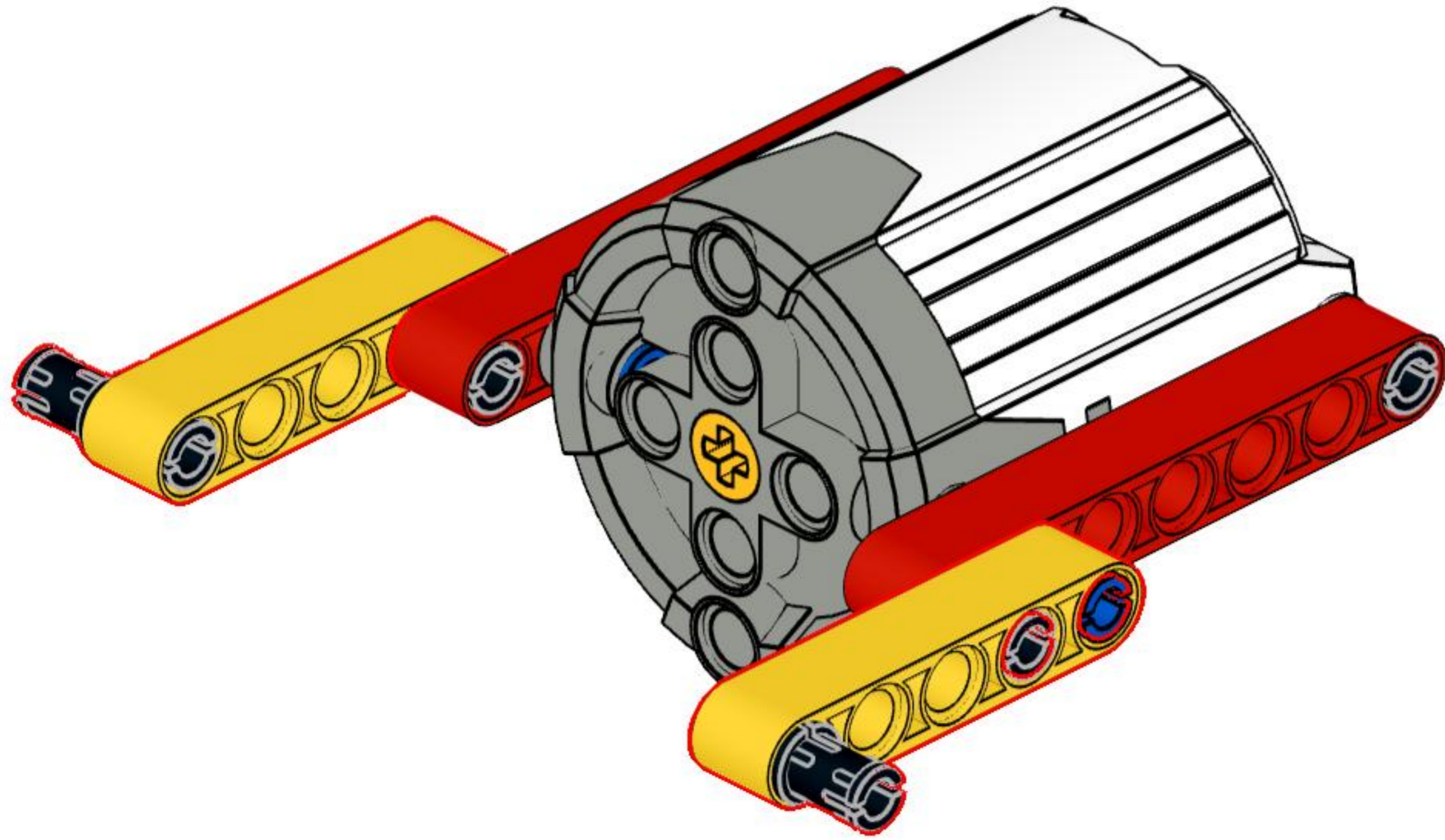
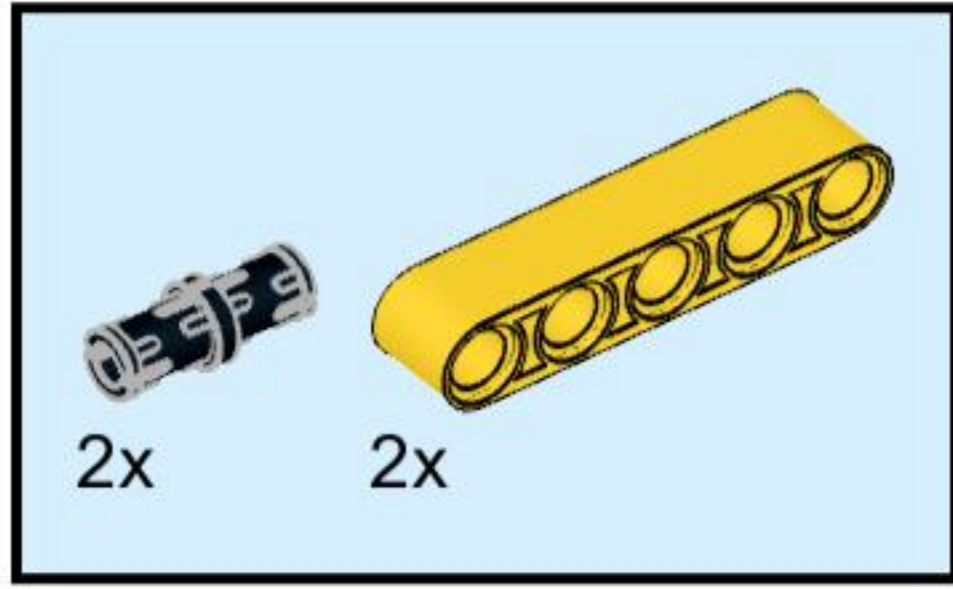
# 1



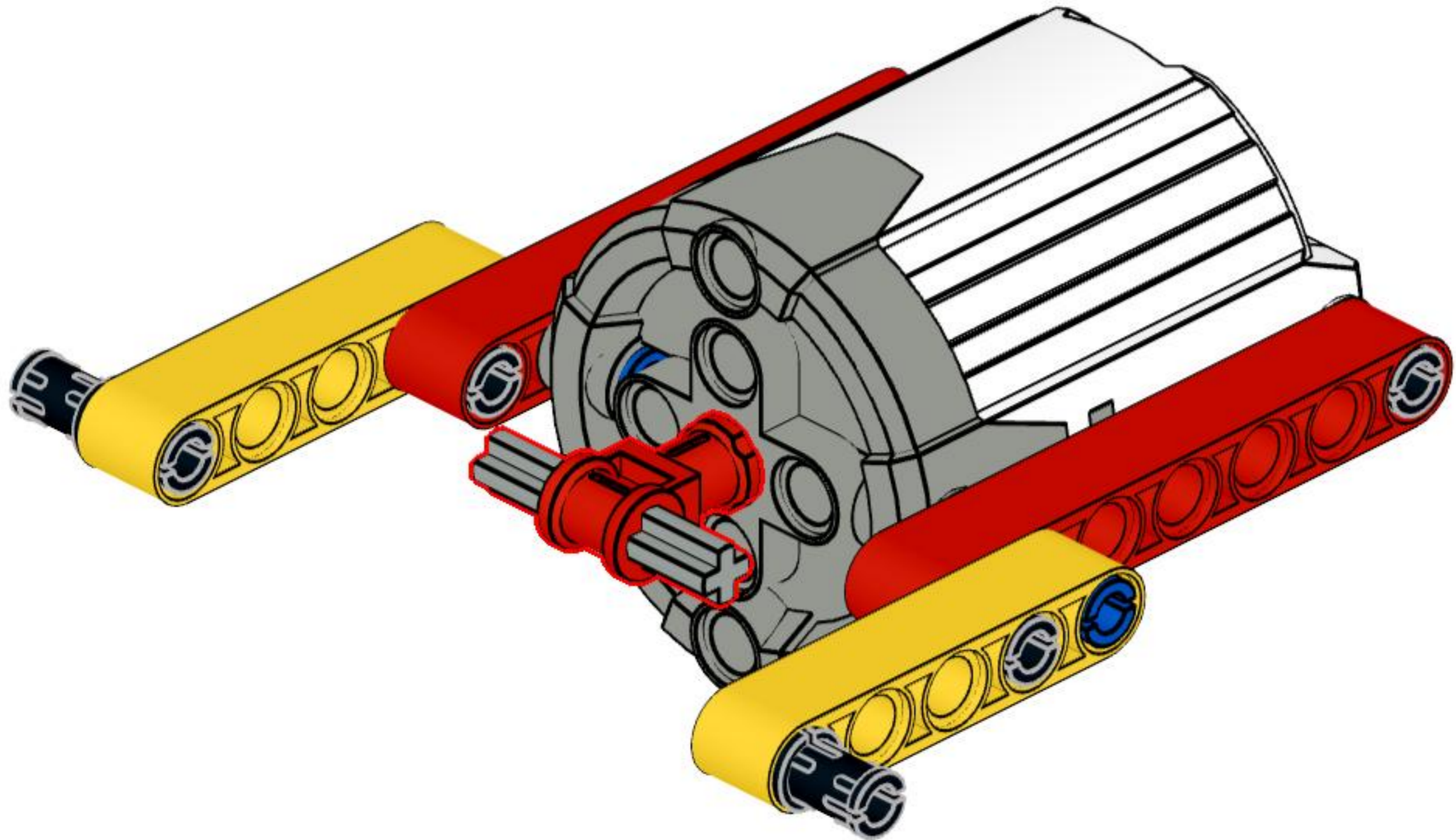
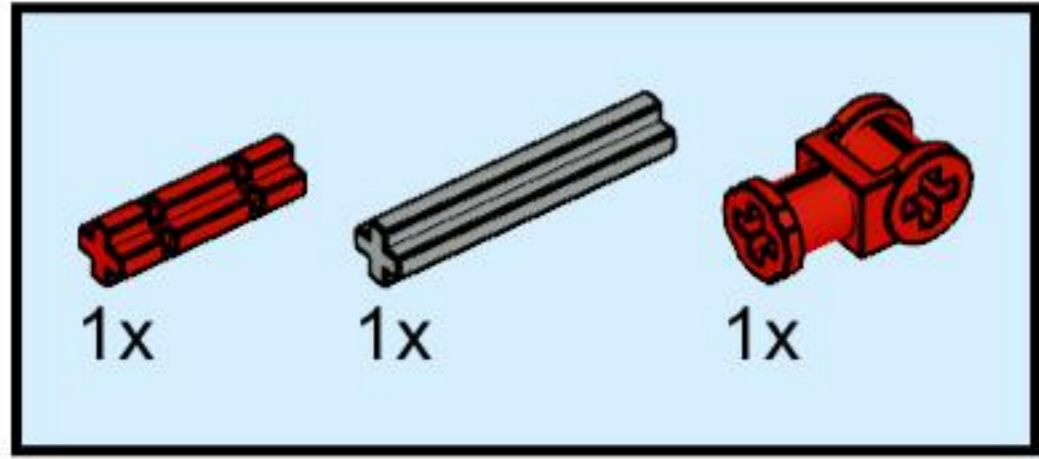
2



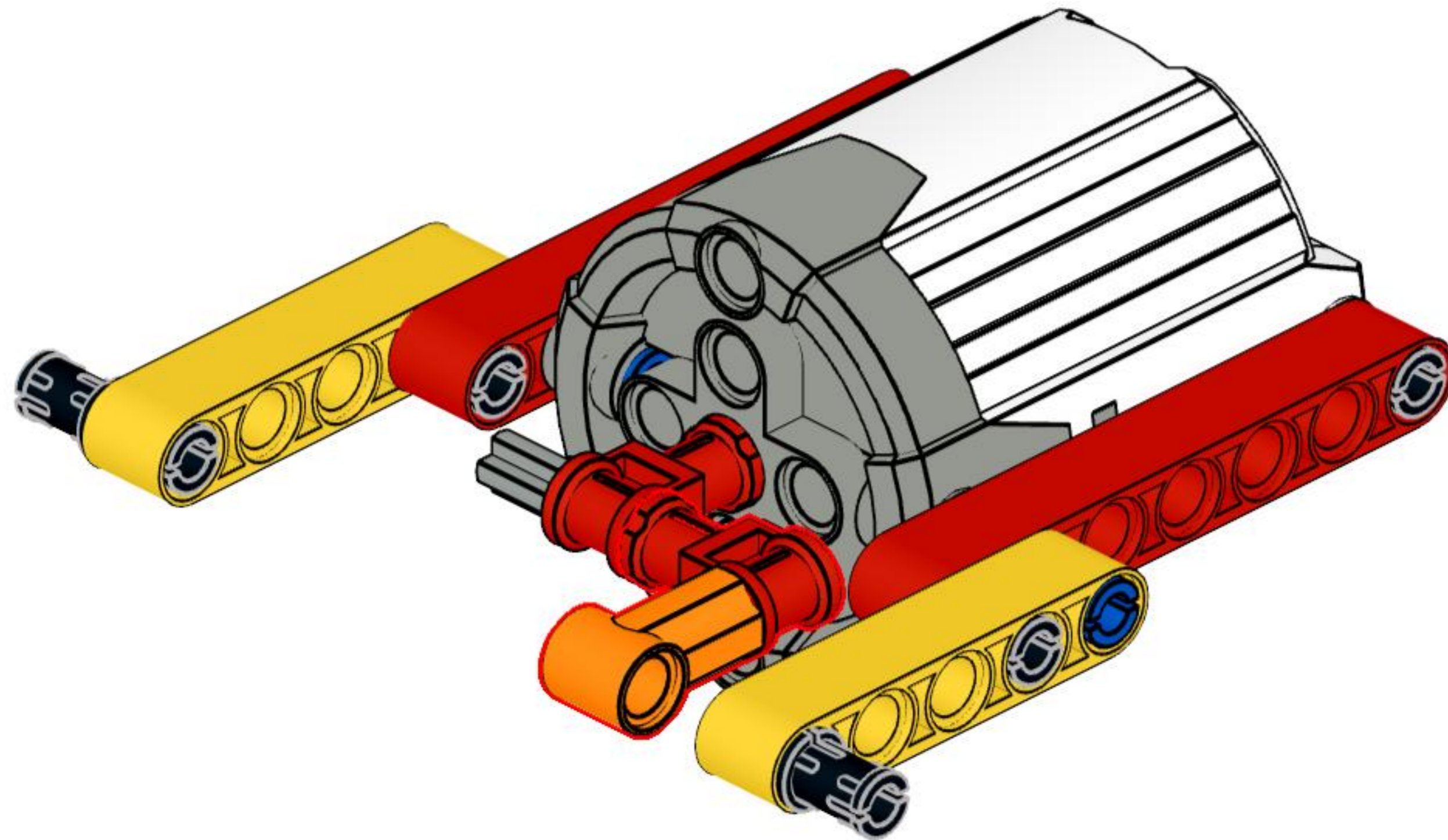
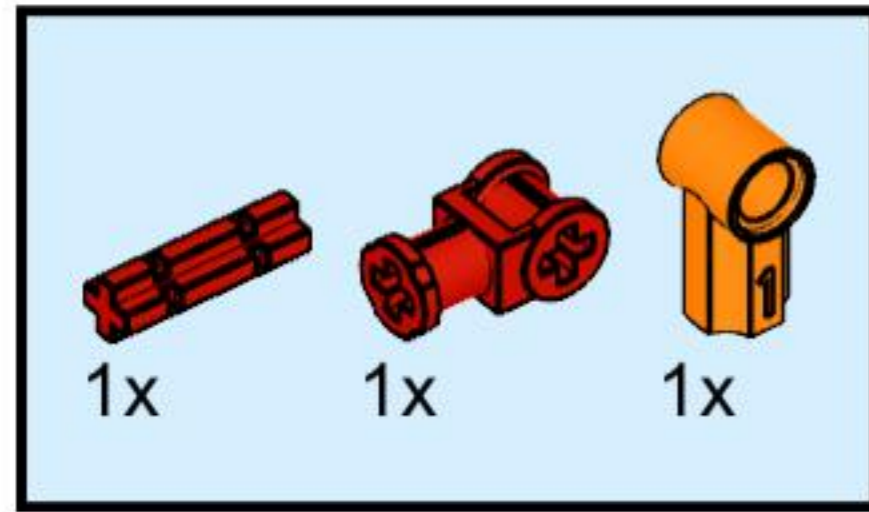
3



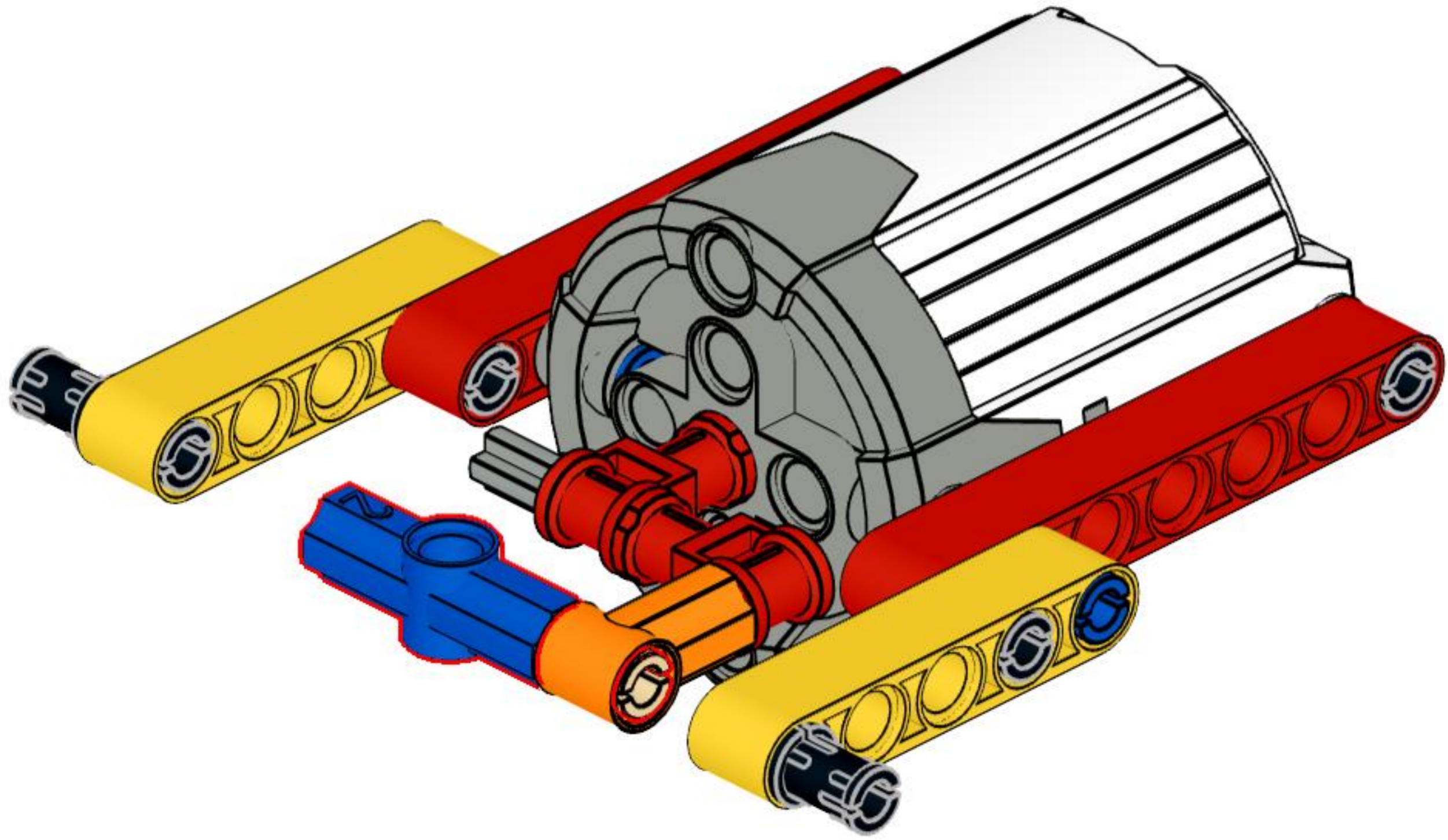
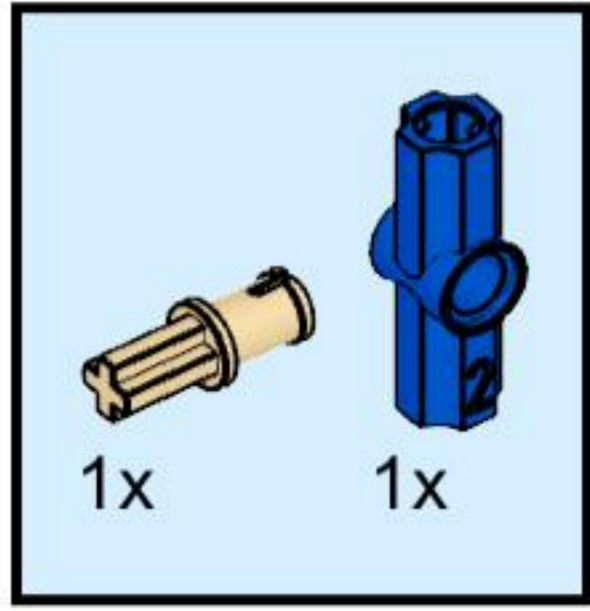
4



5

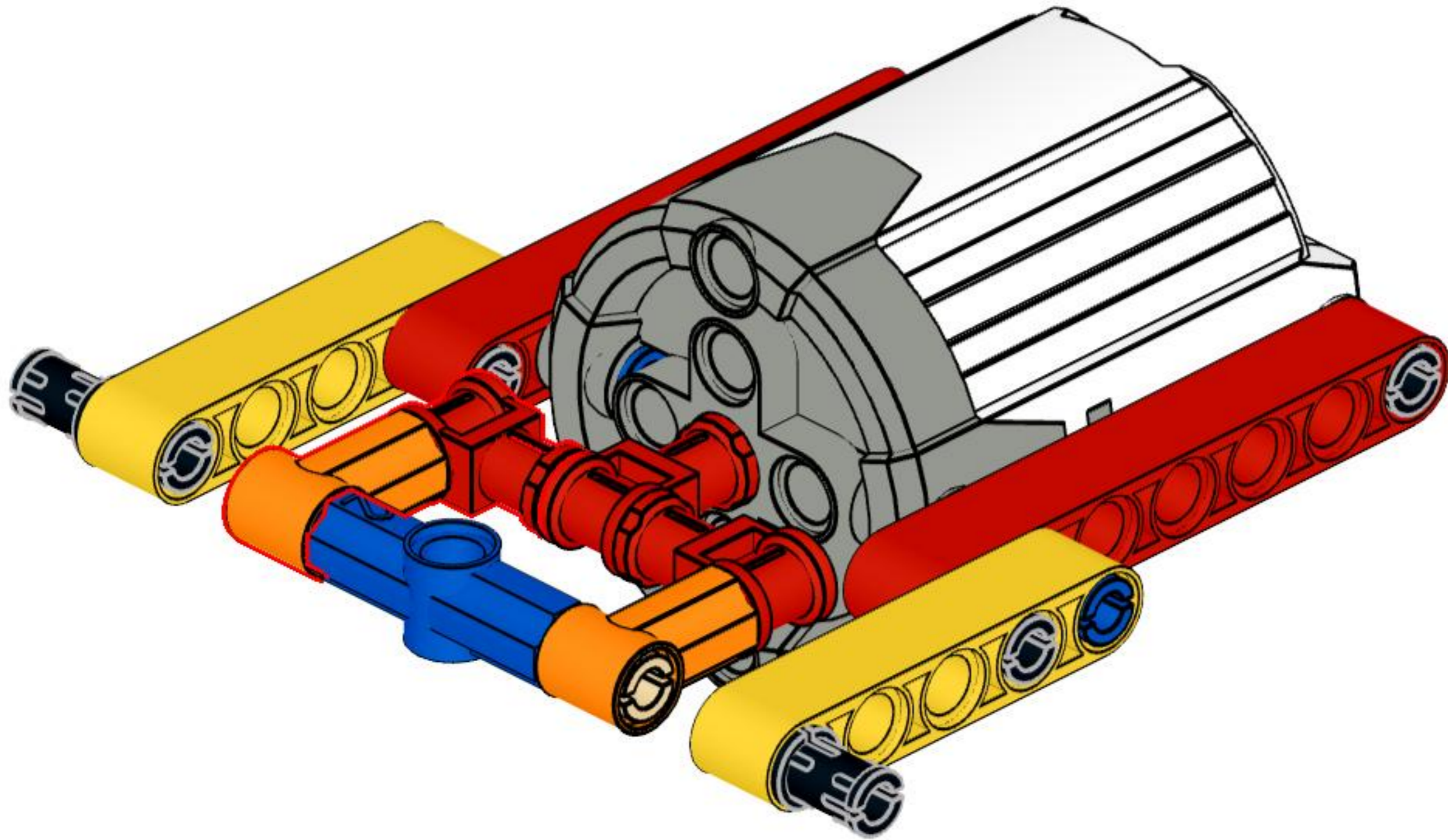
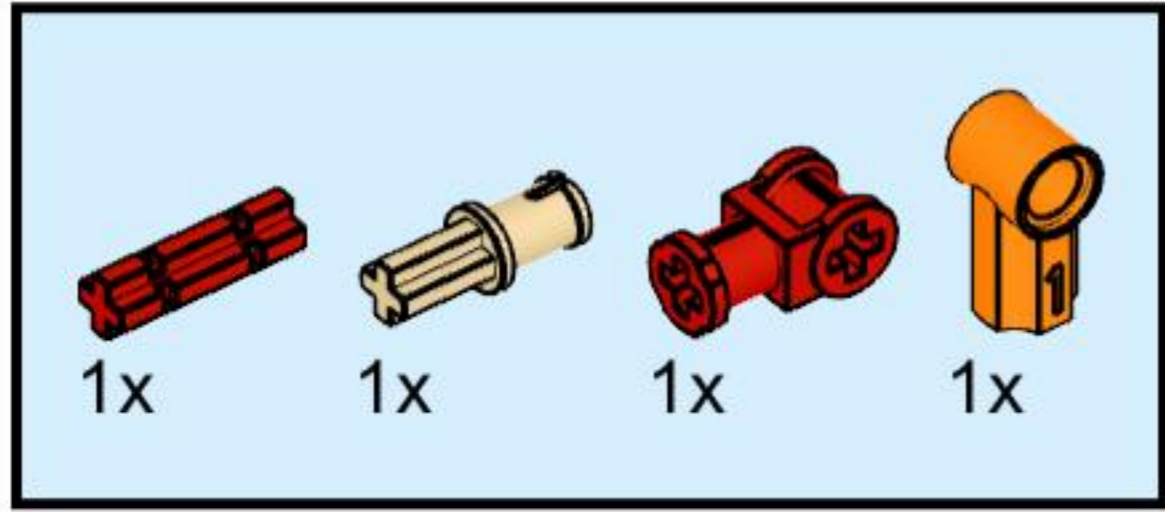


6





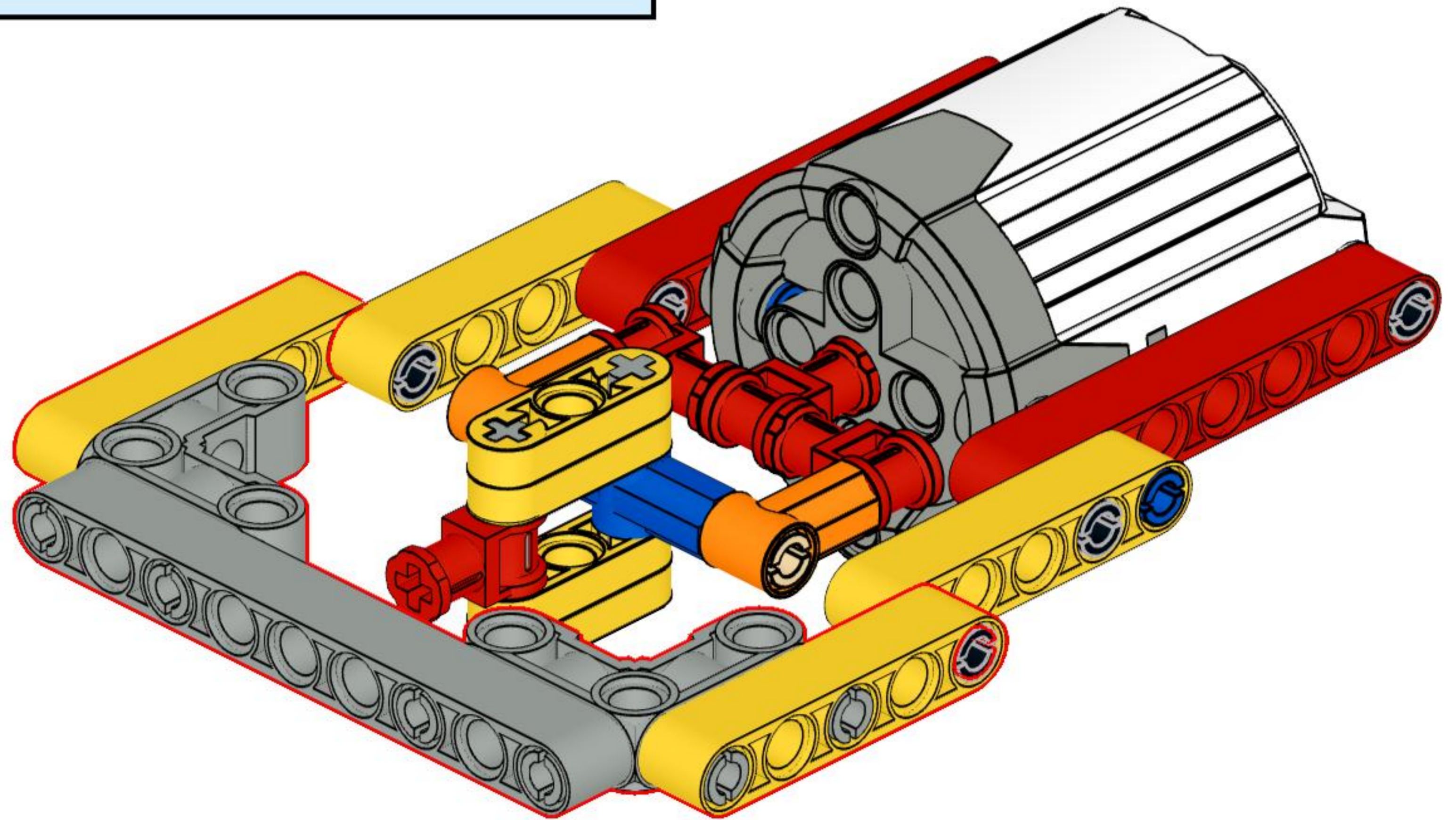
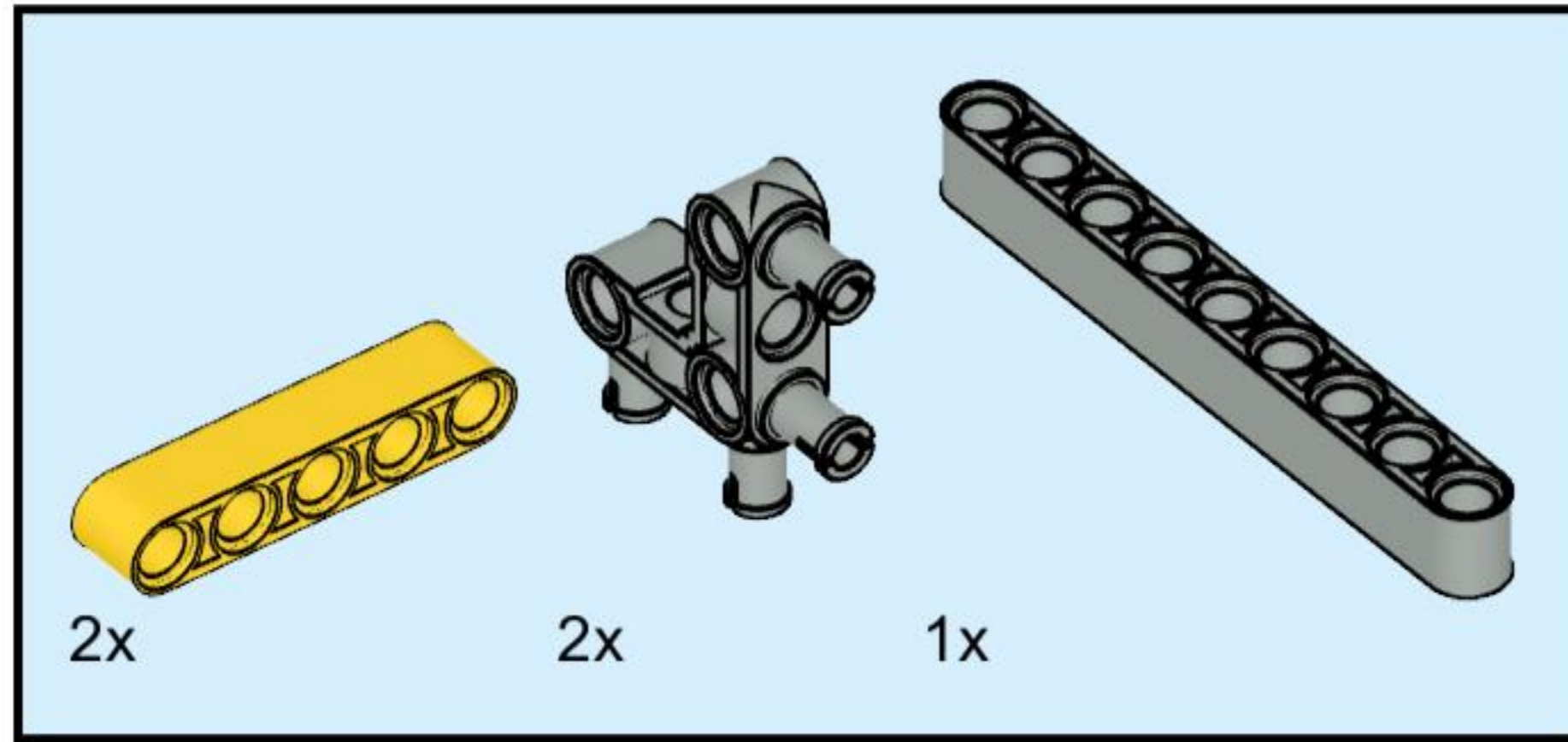
7







# 10



# 11

