

Part Number, Color Number



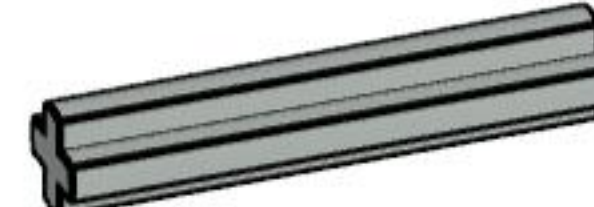
11x
2780, 11



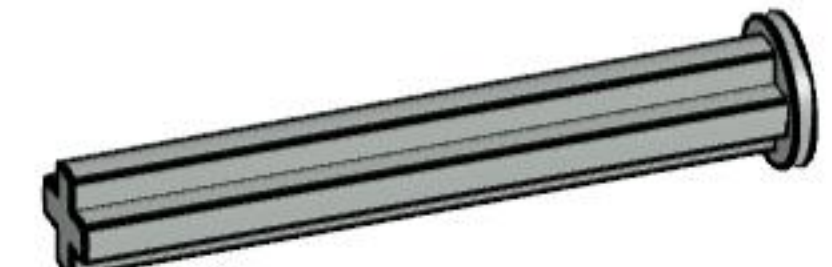
1x
3705, 11



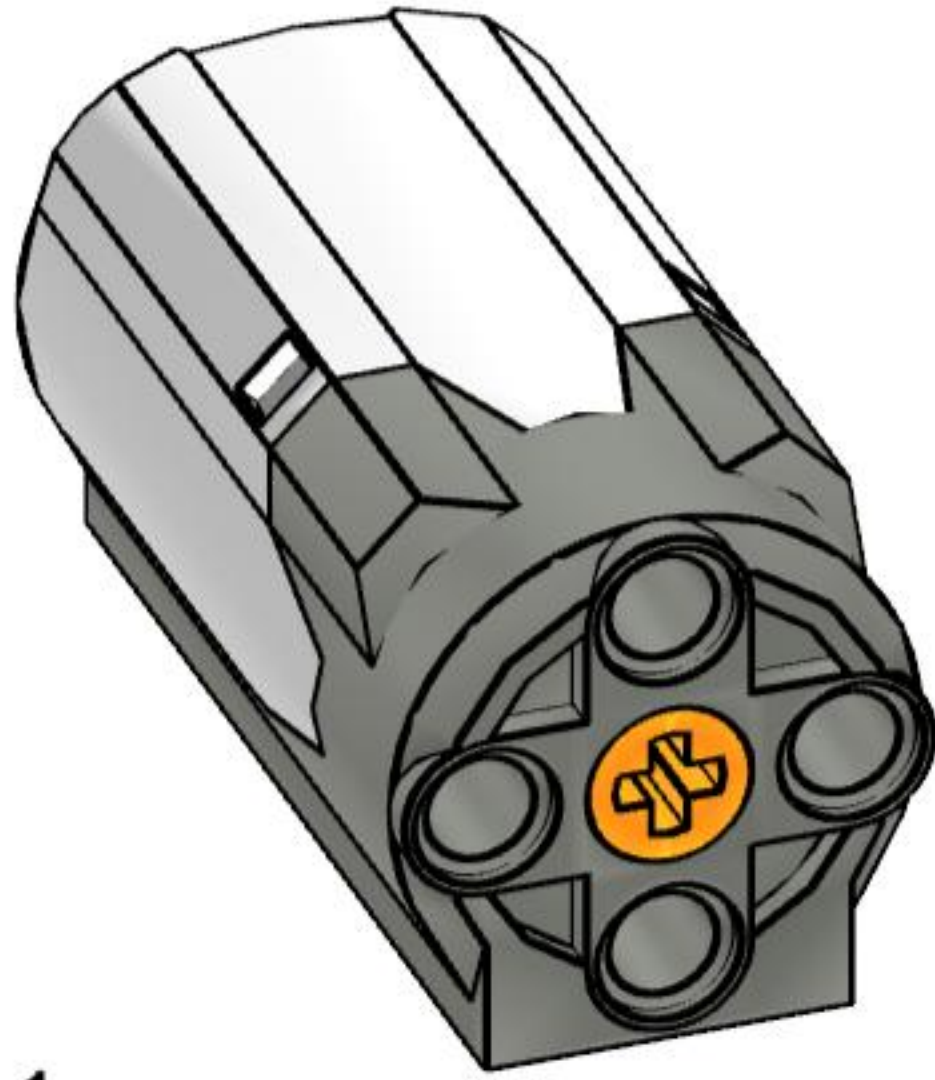
1x
3706, 11



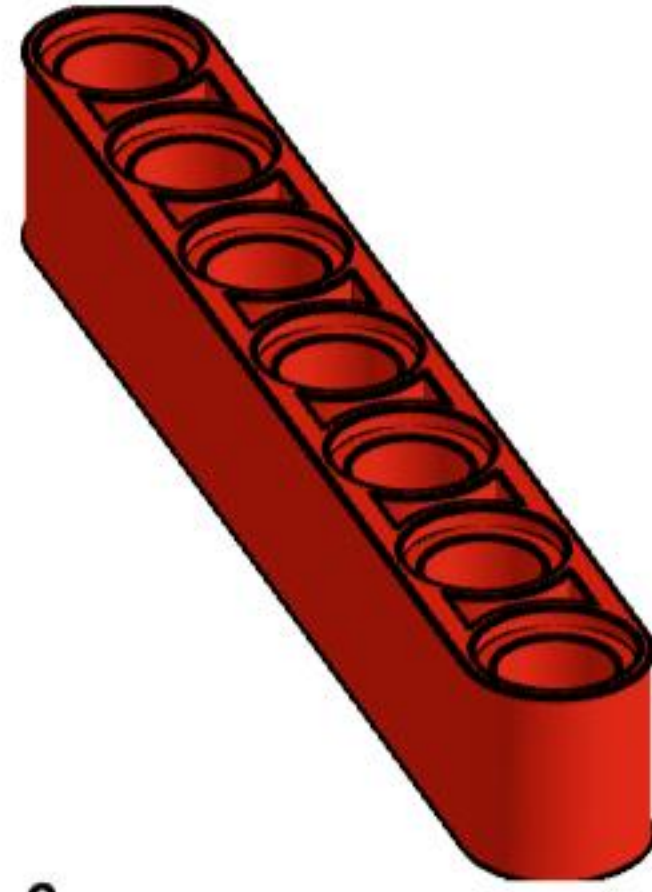
3x
4519, 9



1x
87083, 9



1x
58120c01, 1



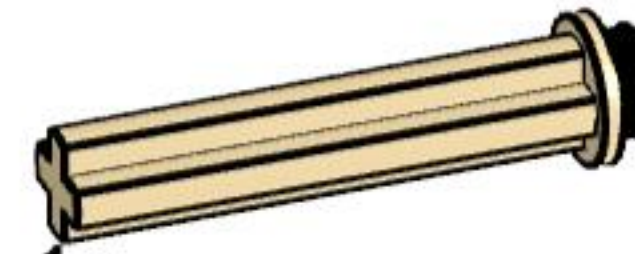
6x
32524, 5



1x
32013, 4



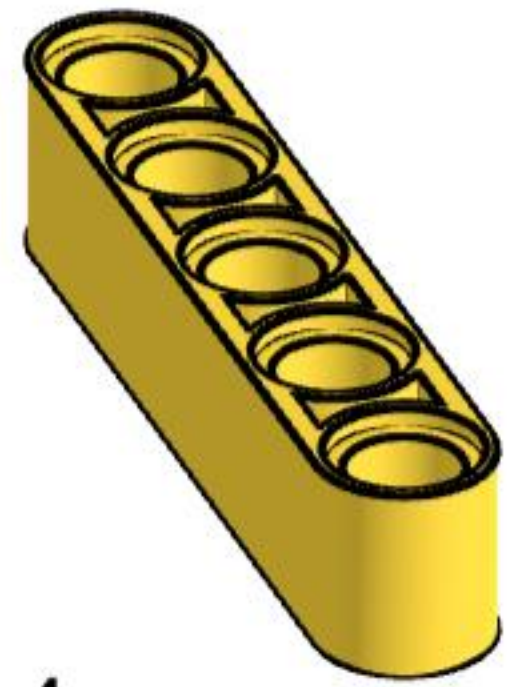
4x
6589, 2



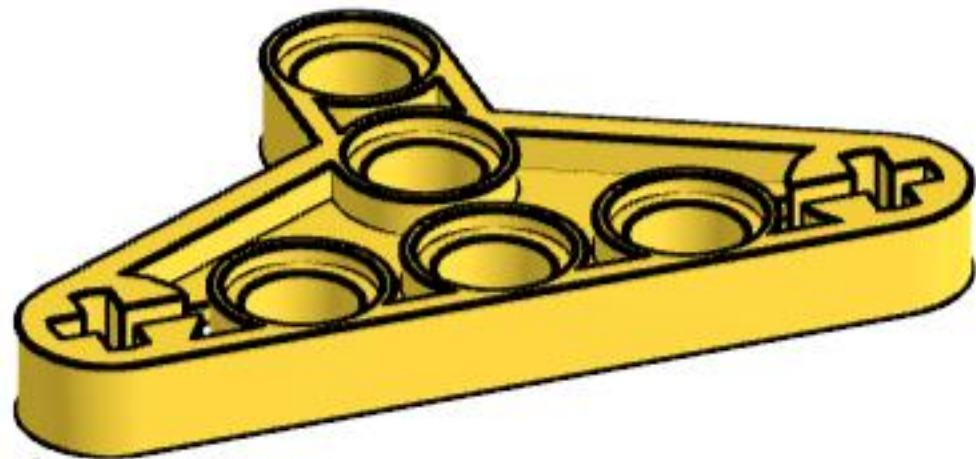
1x
6587, 2



2x
32269, 2



4x
32316, 3



2x
2905, 3



4x
6536, 34



8x
43093, 7

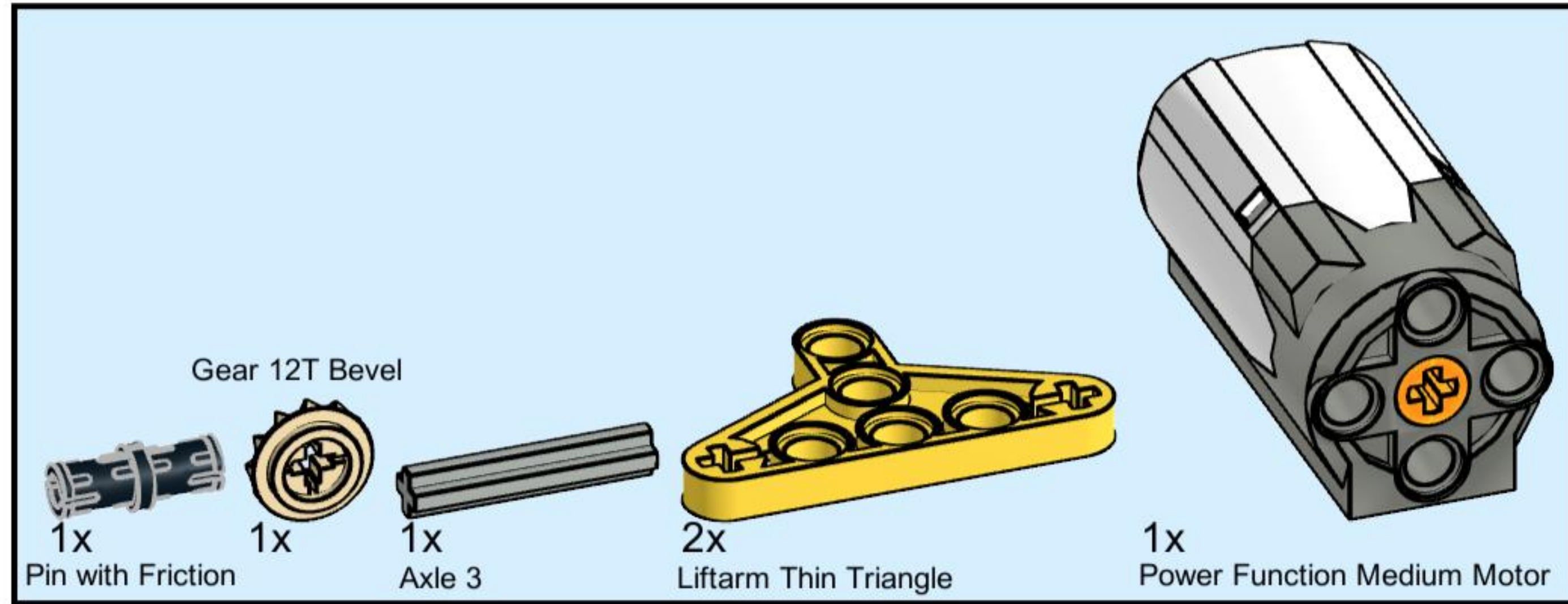


2x
6558, 7

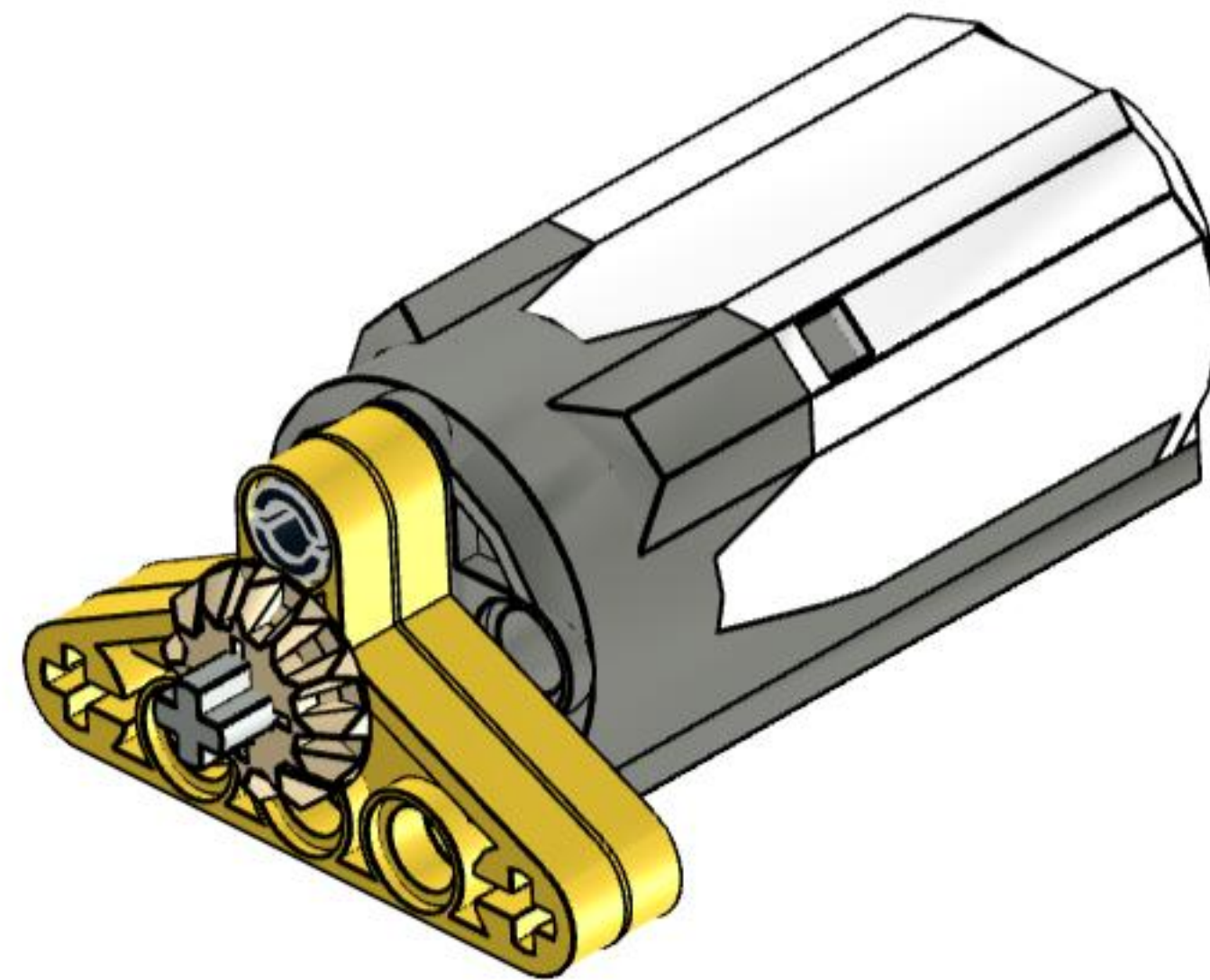


4x
32034, 7

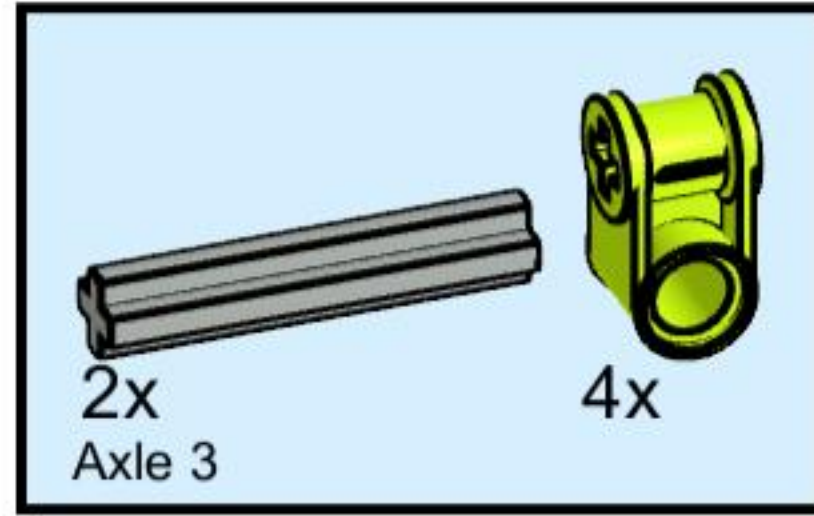
1



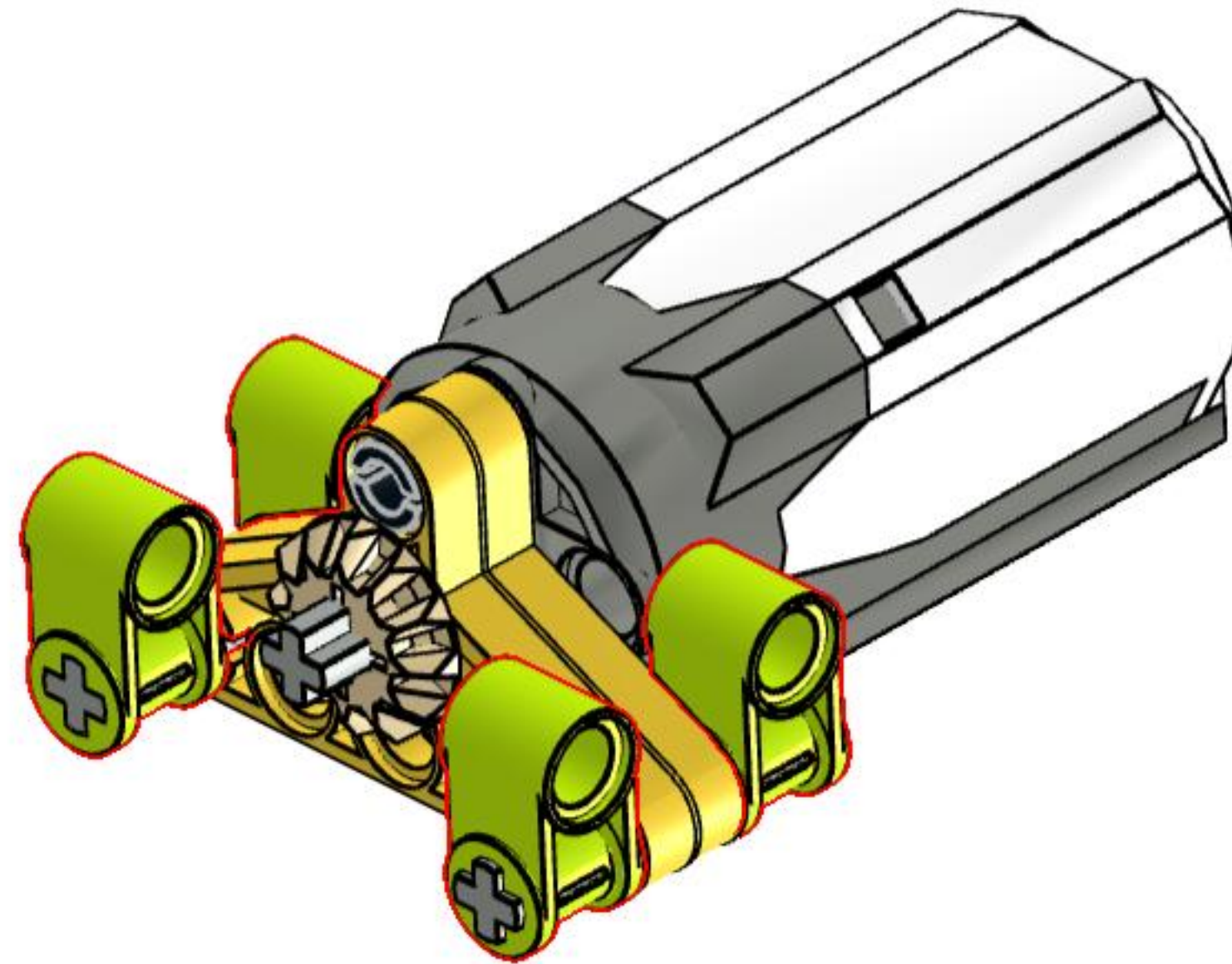
※ Connect the Power Functions Medium Motor to the Battery Pack (4X11X17) You need 6 Batteries (AA,9V)



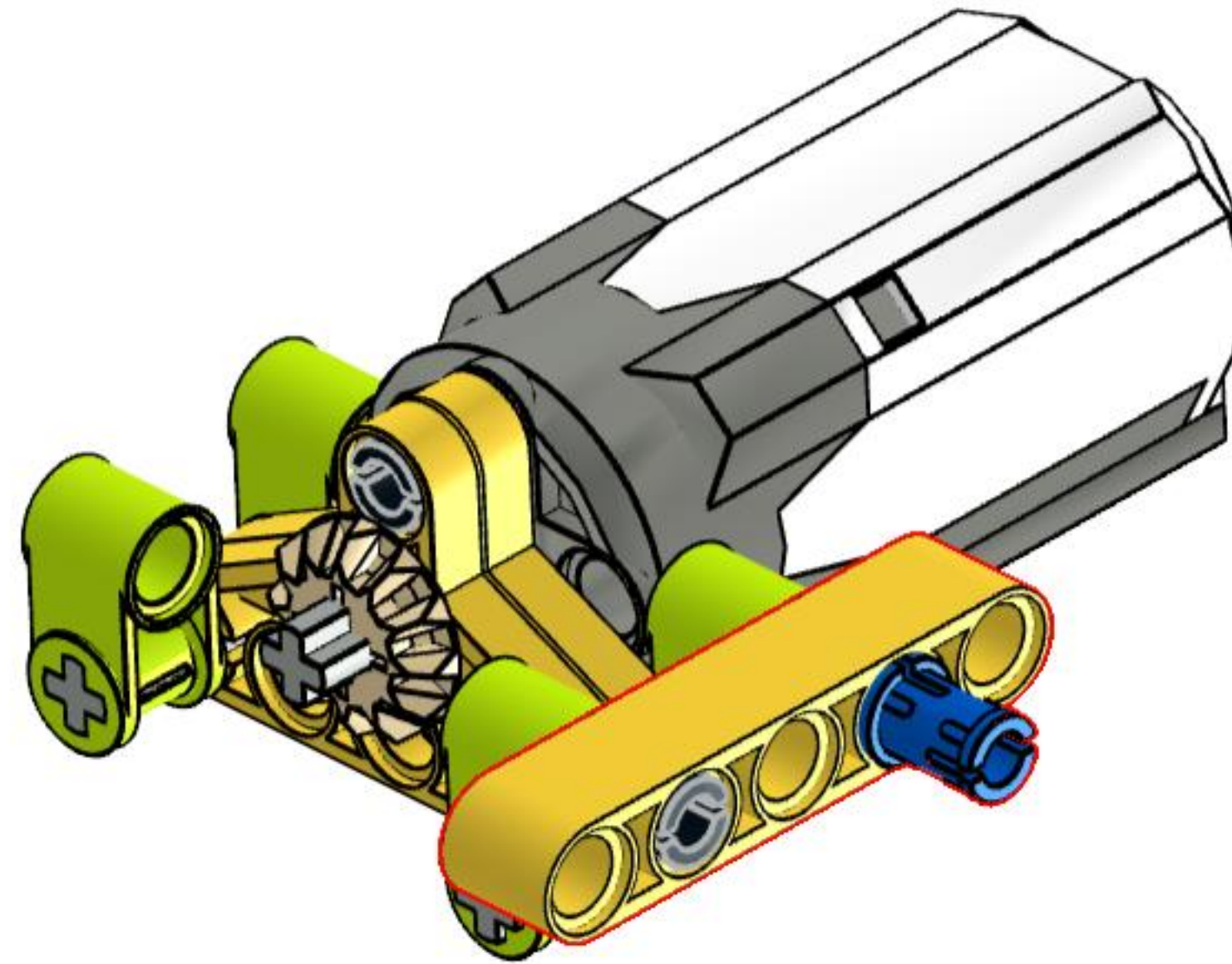
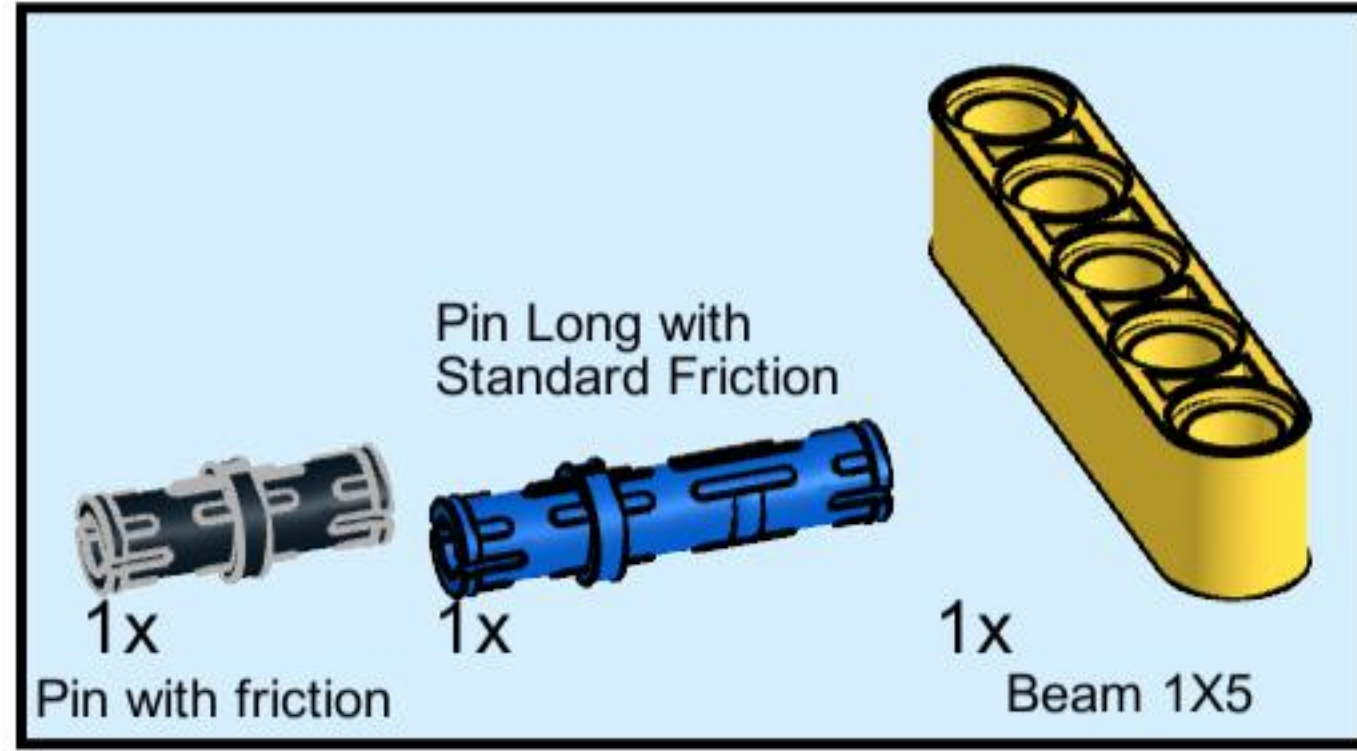
2



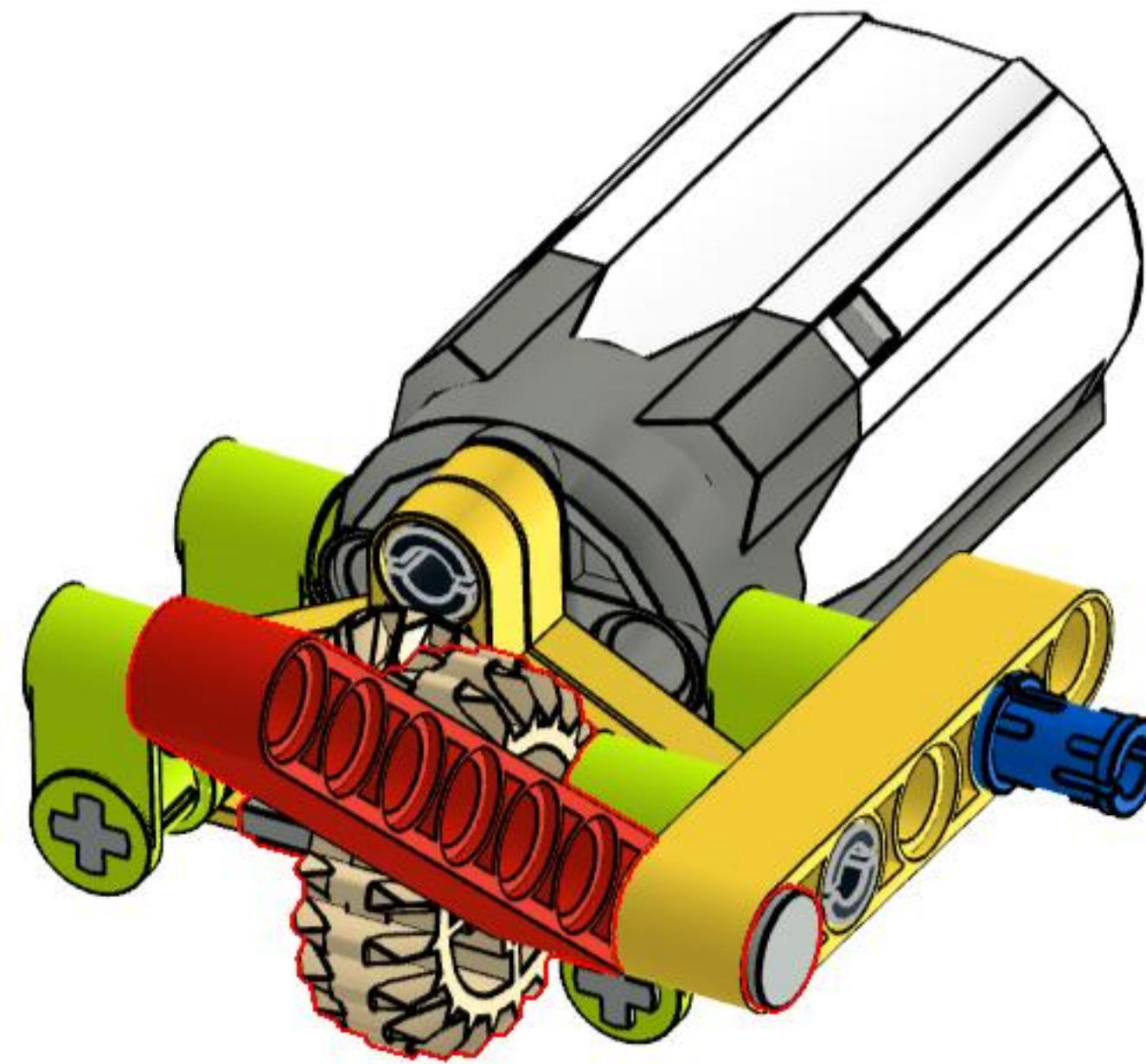
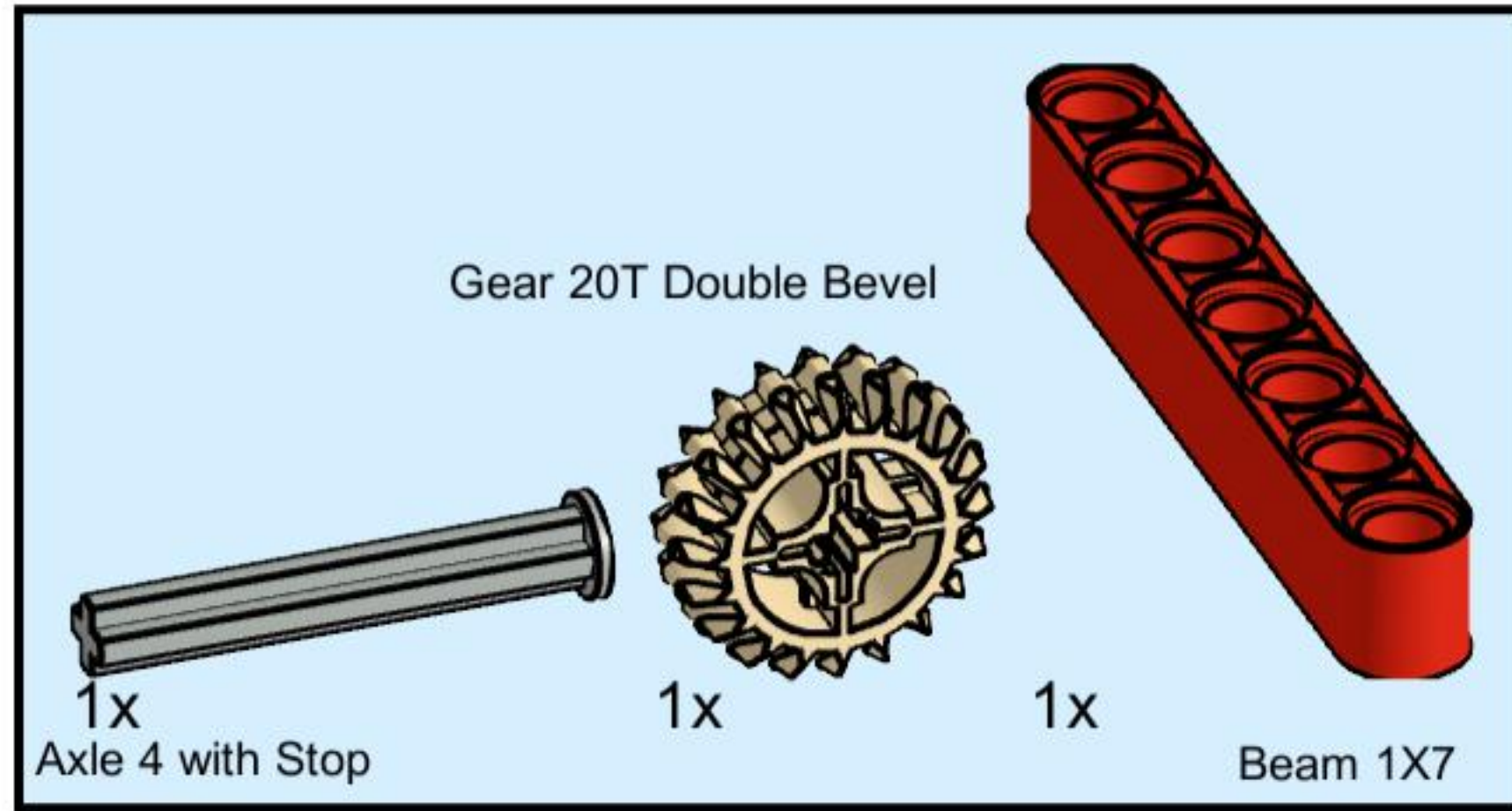
Axle and Pin Connector Perpendicular



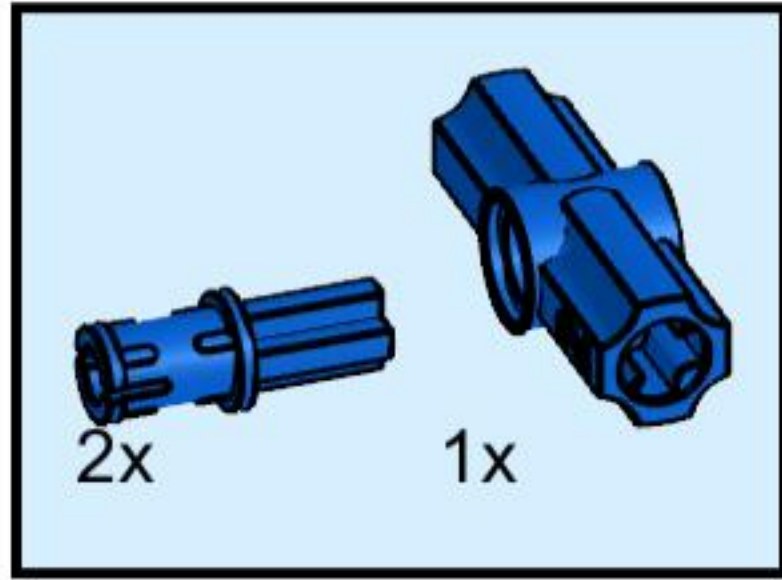
3



4

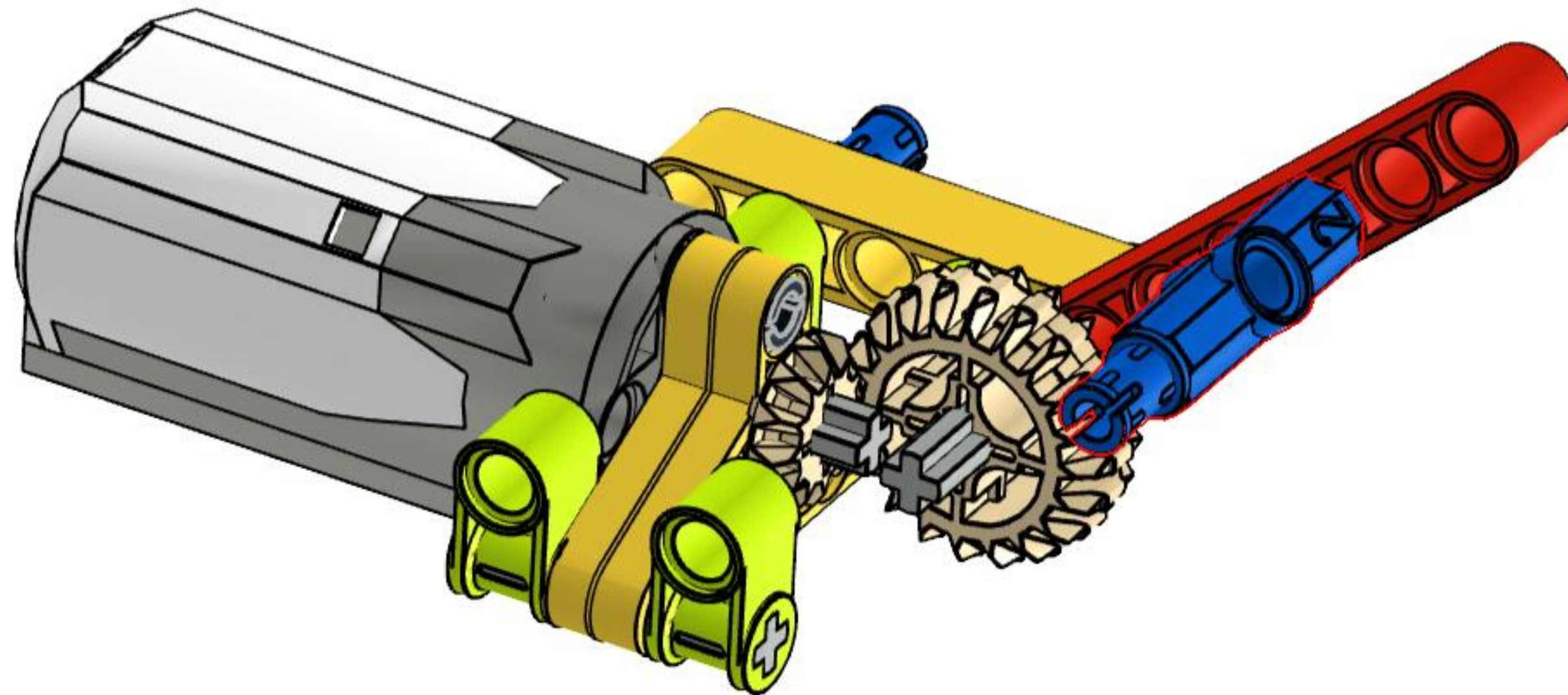


5

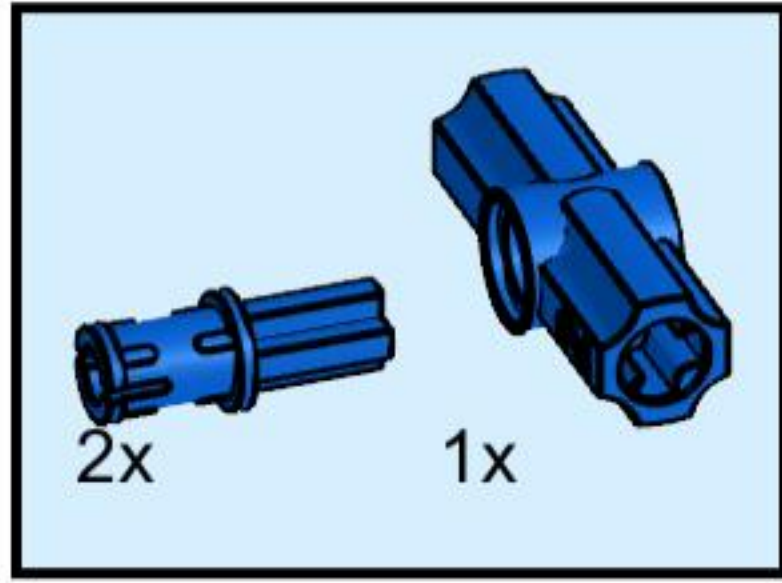


Axle Pin with
Standard Friction

Axle and Pin
Connector 180°

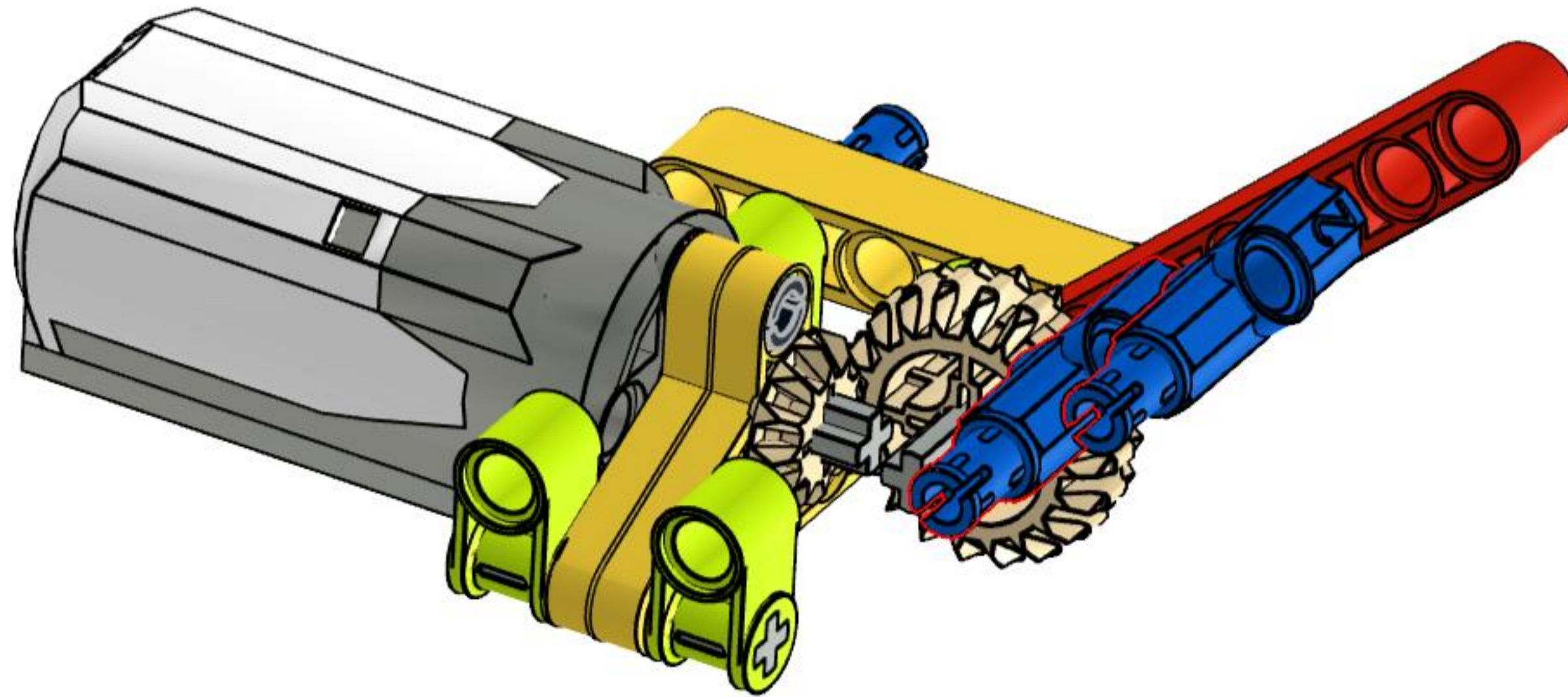


6

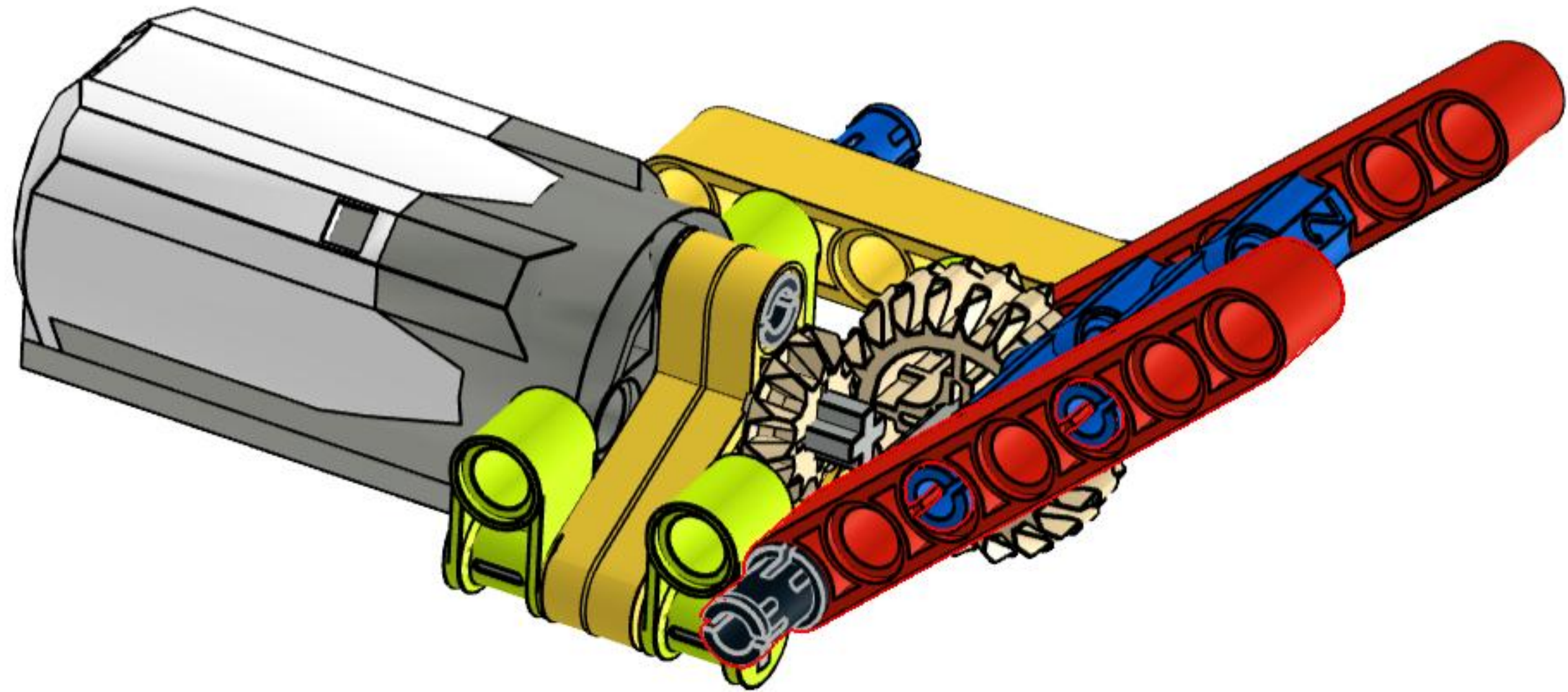
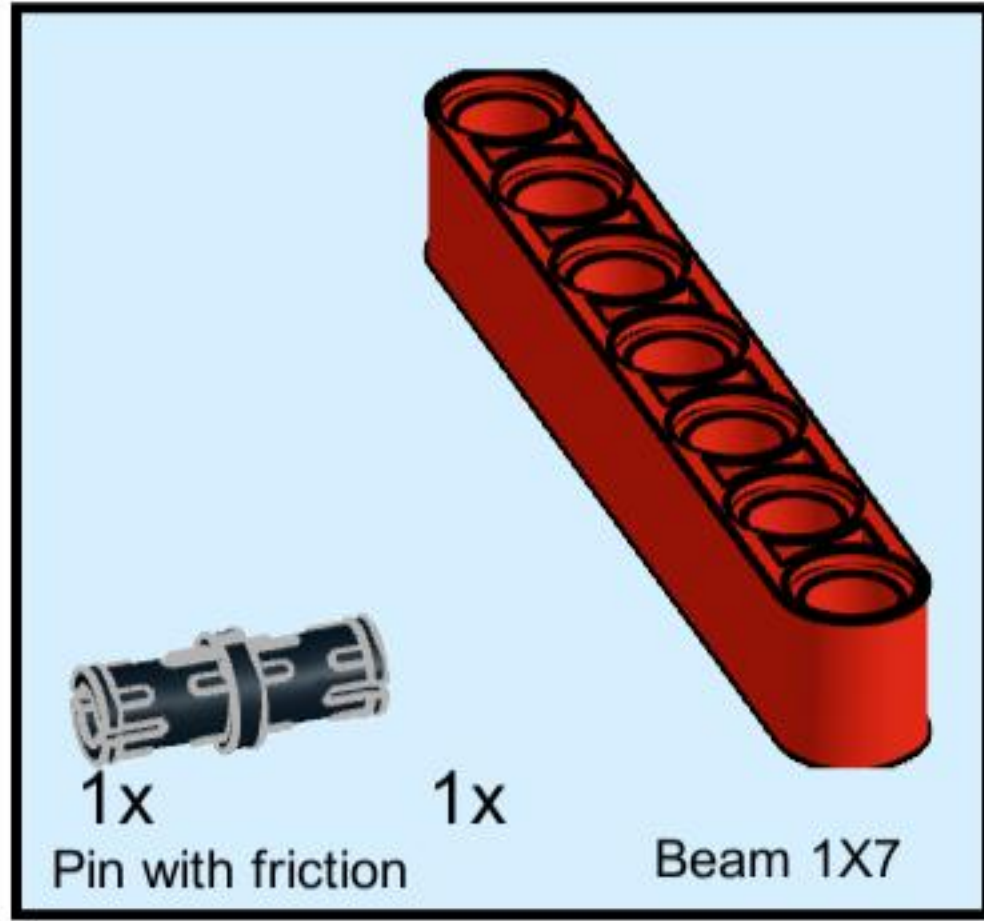


Axle Pin with
Standard Friction

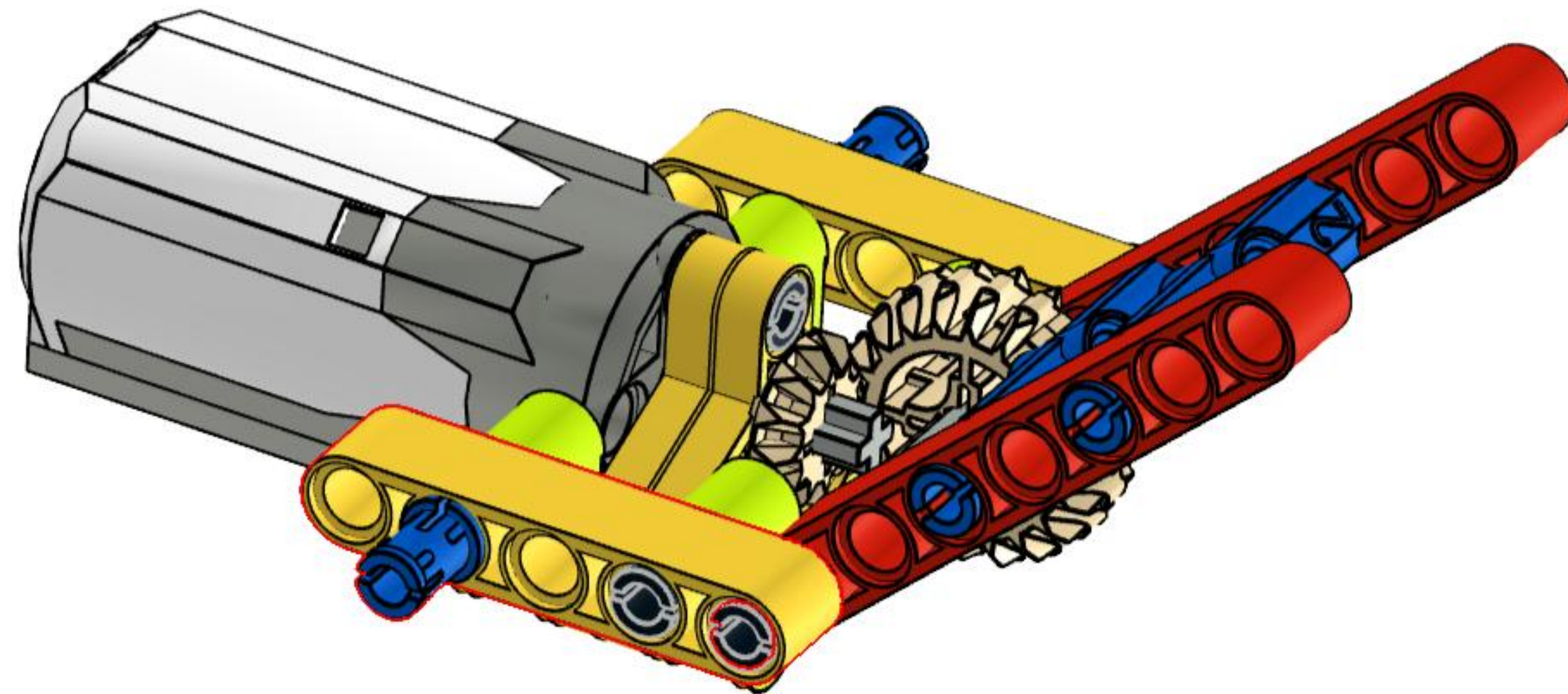
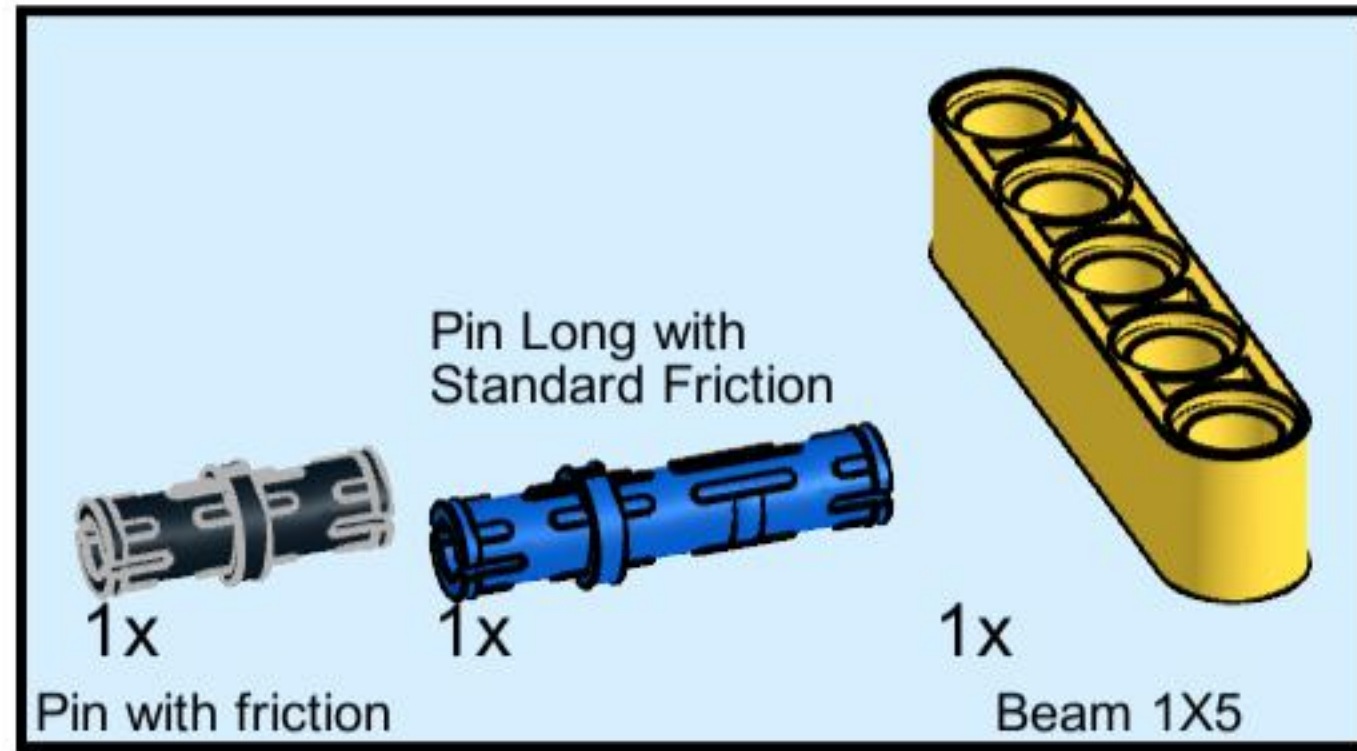
Axle and Pin
Connector 180°



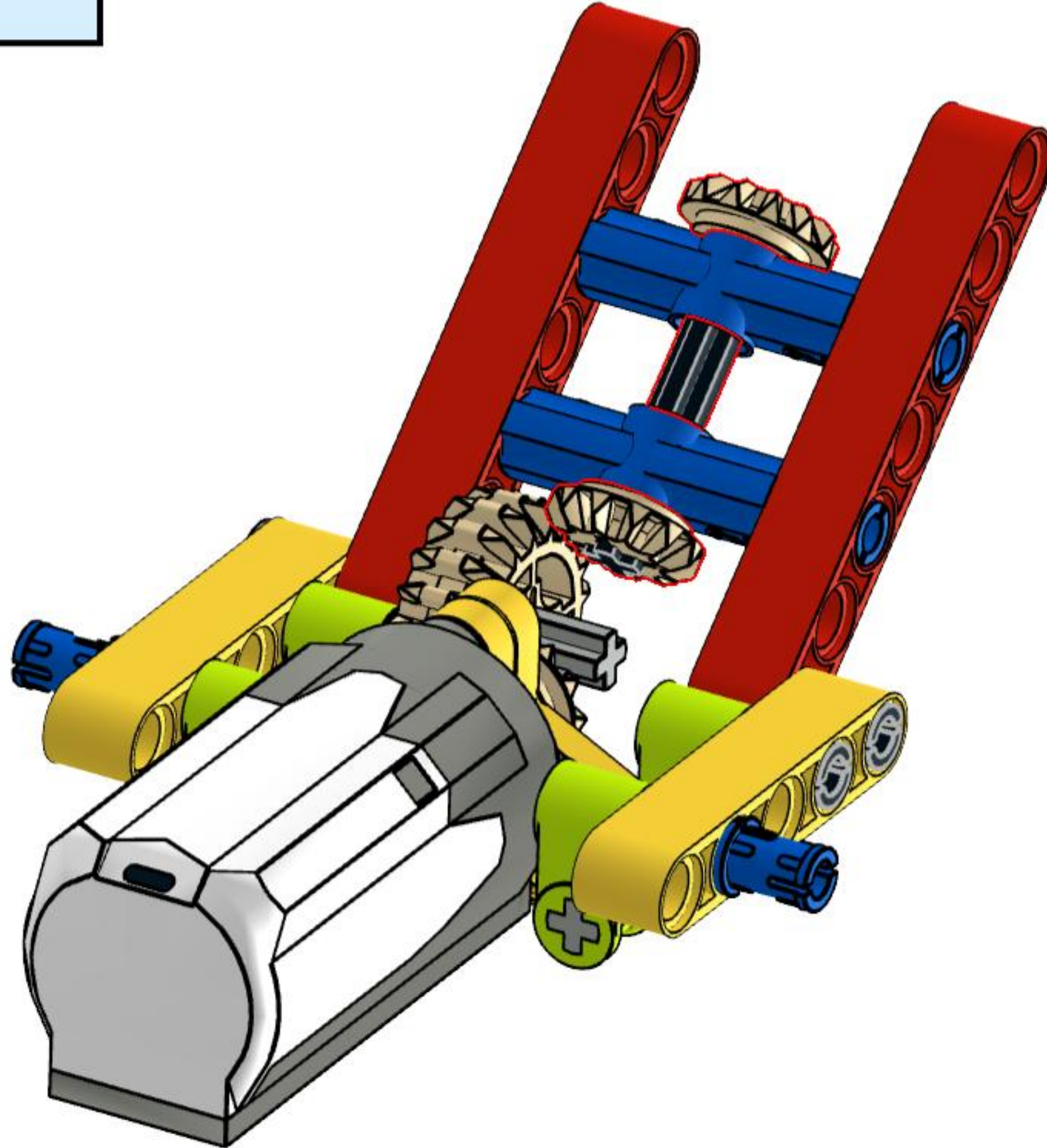
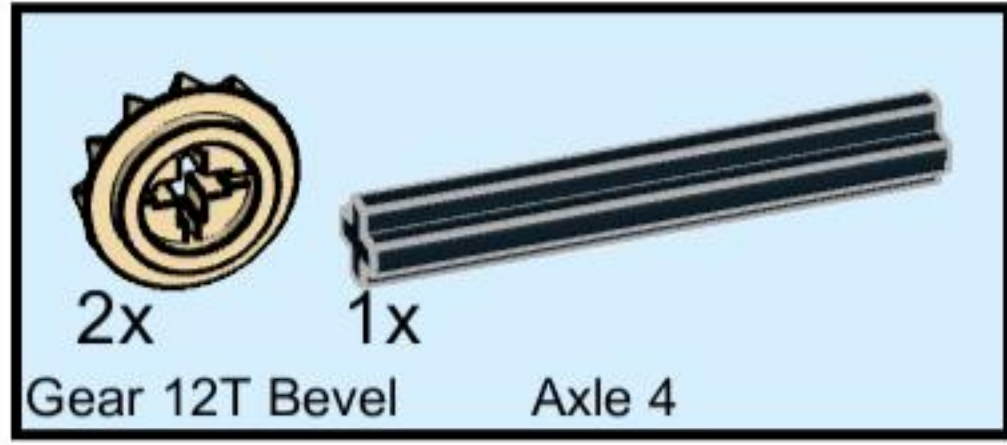
7



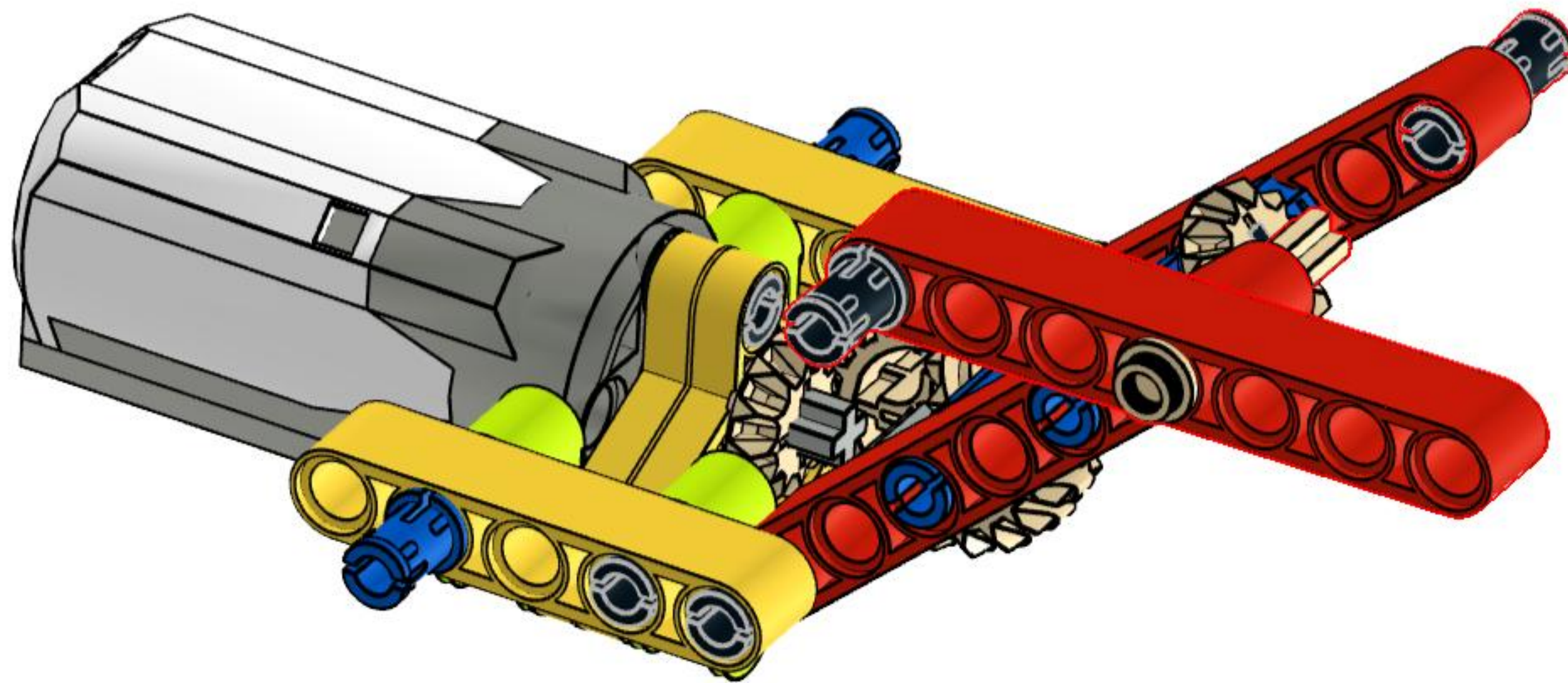
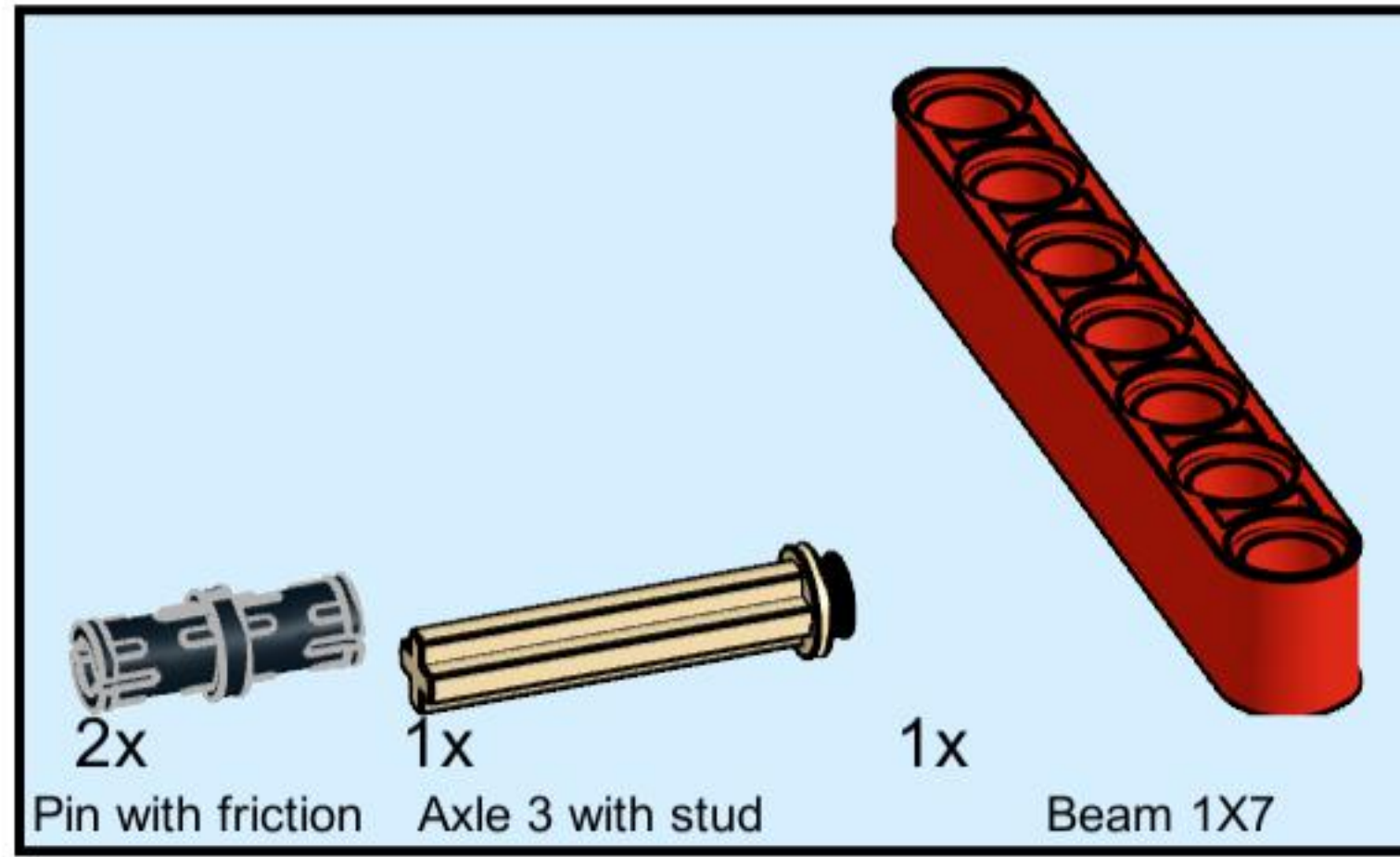
8



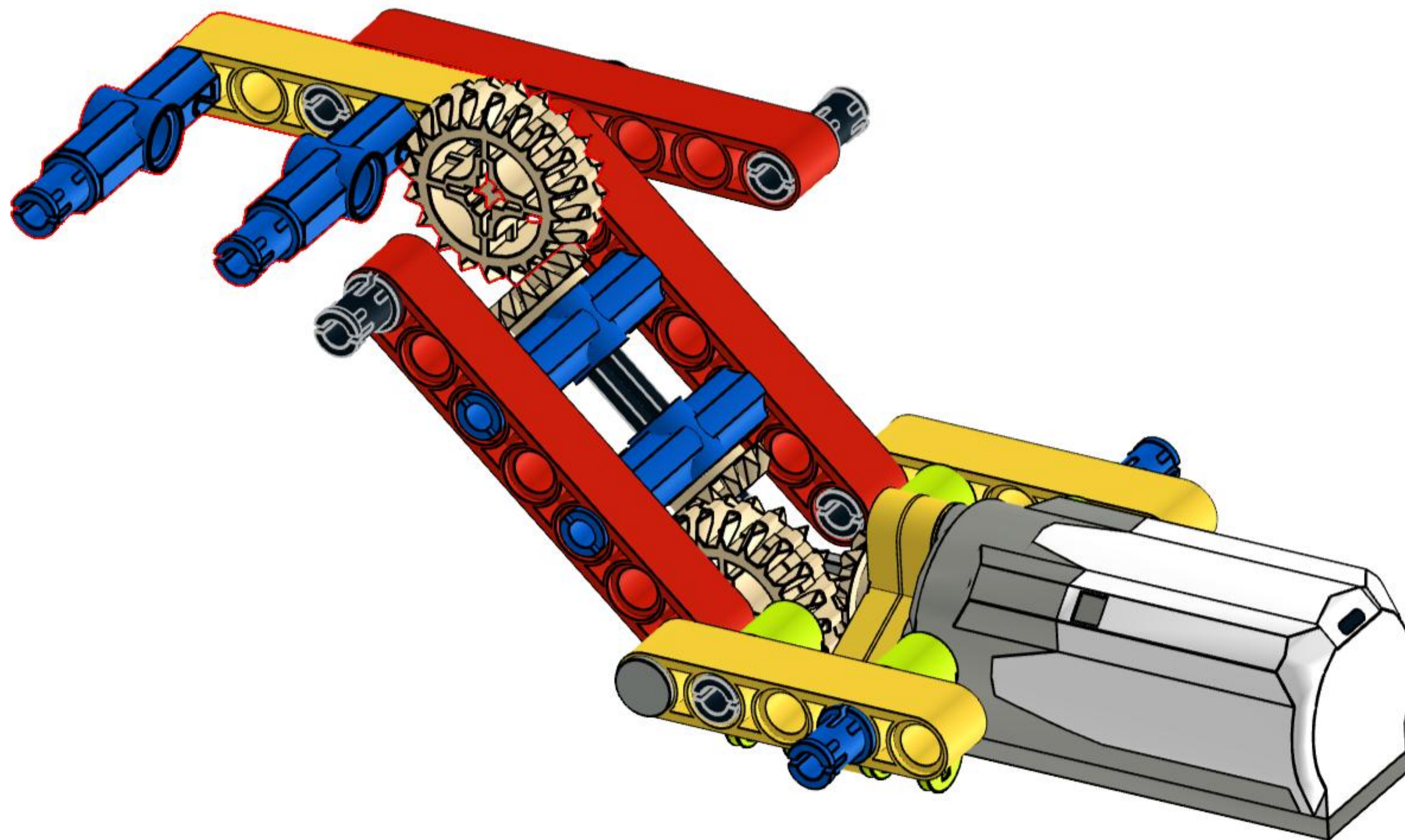
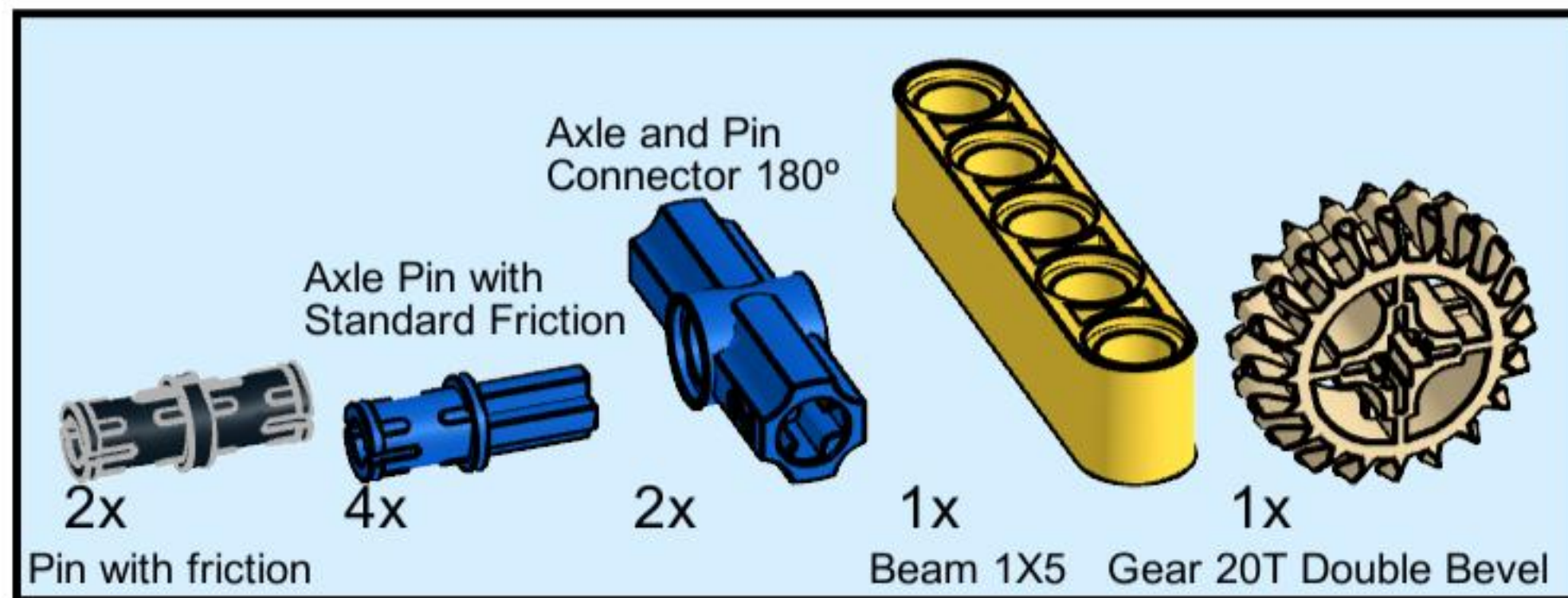
9



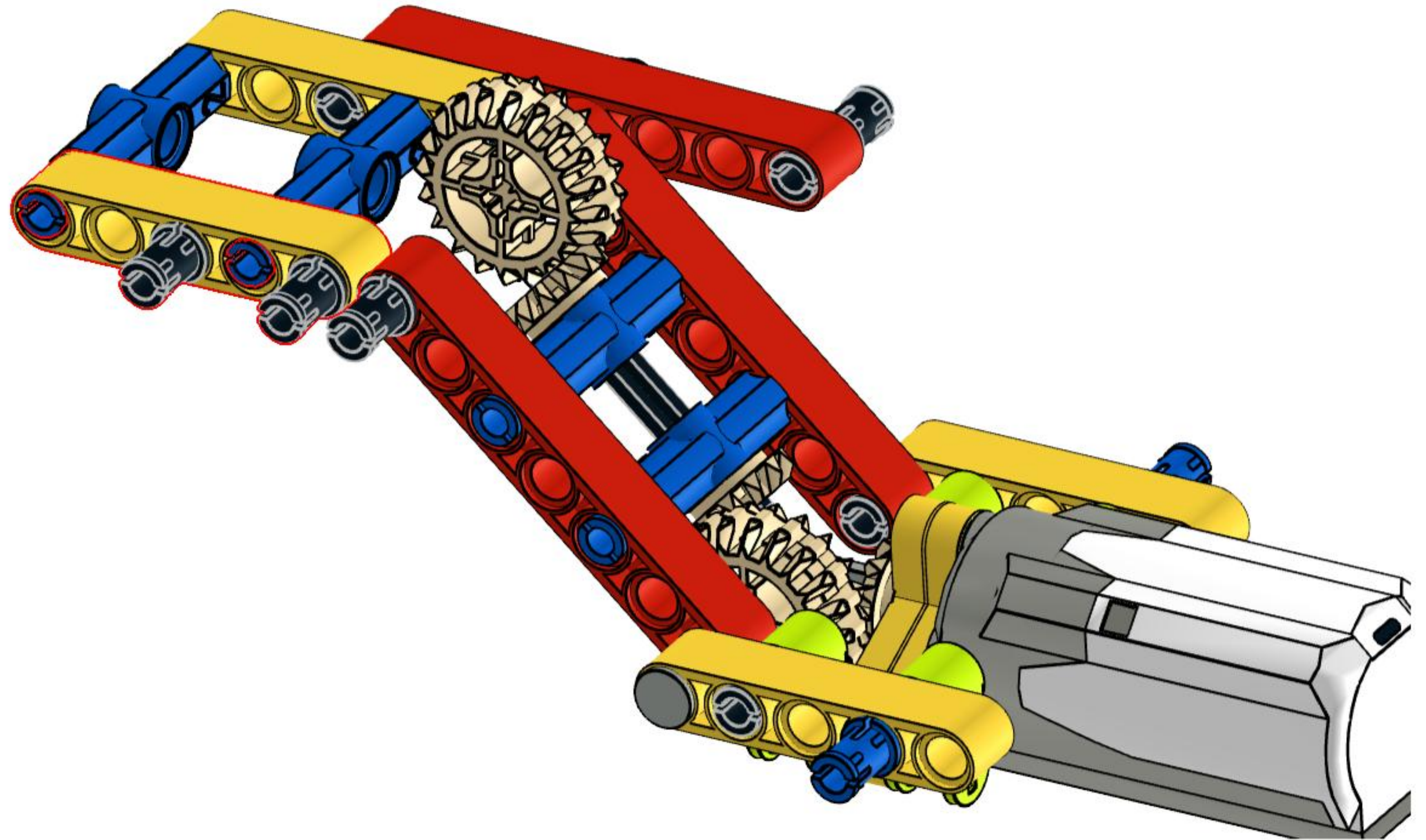
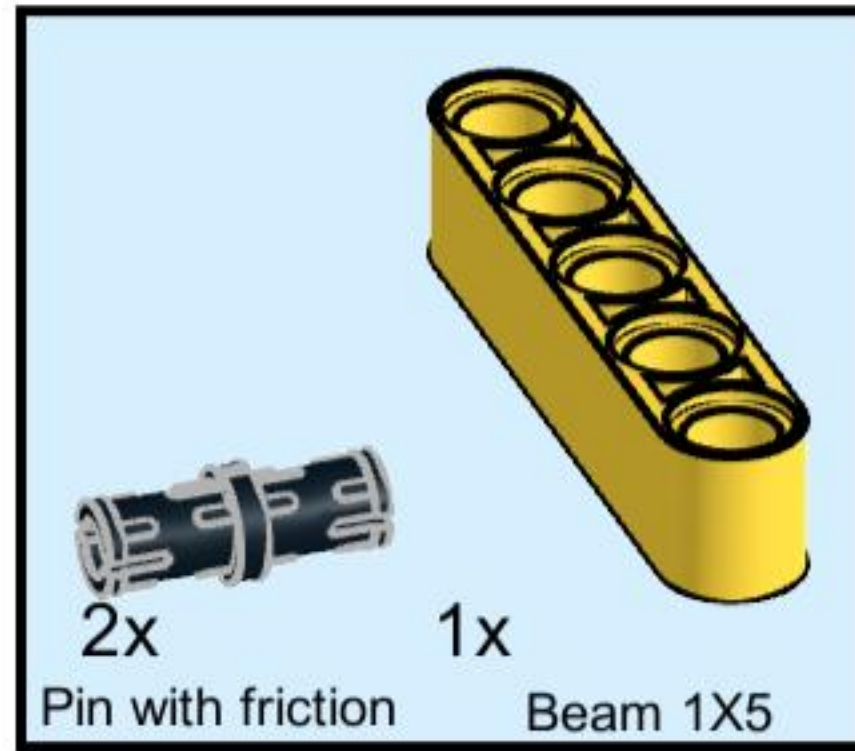
10



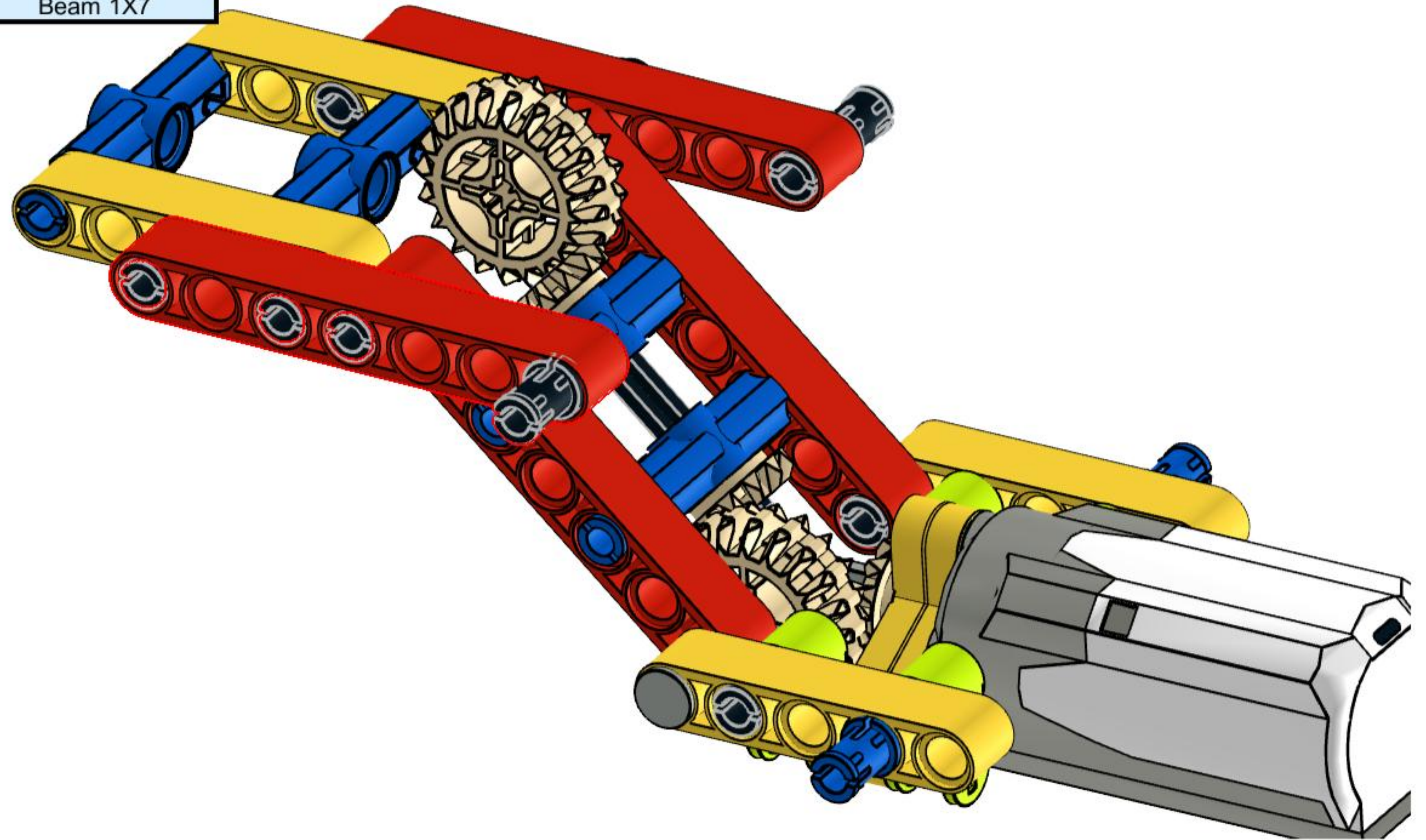
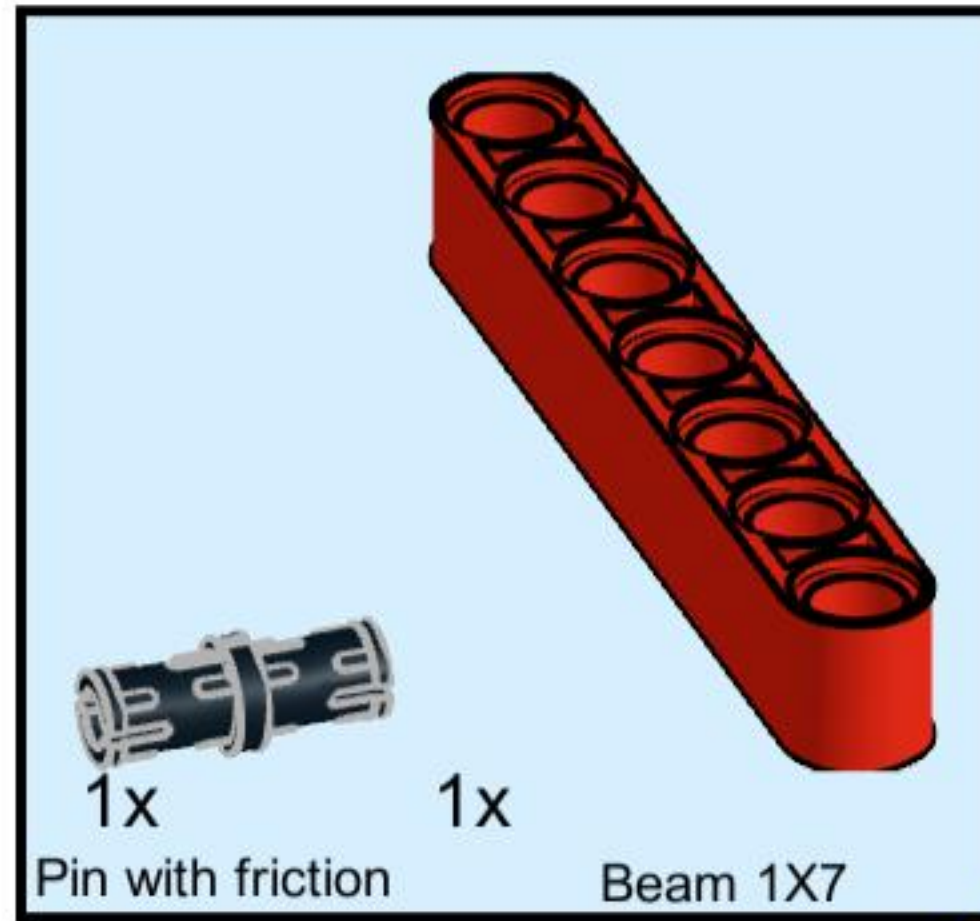
11



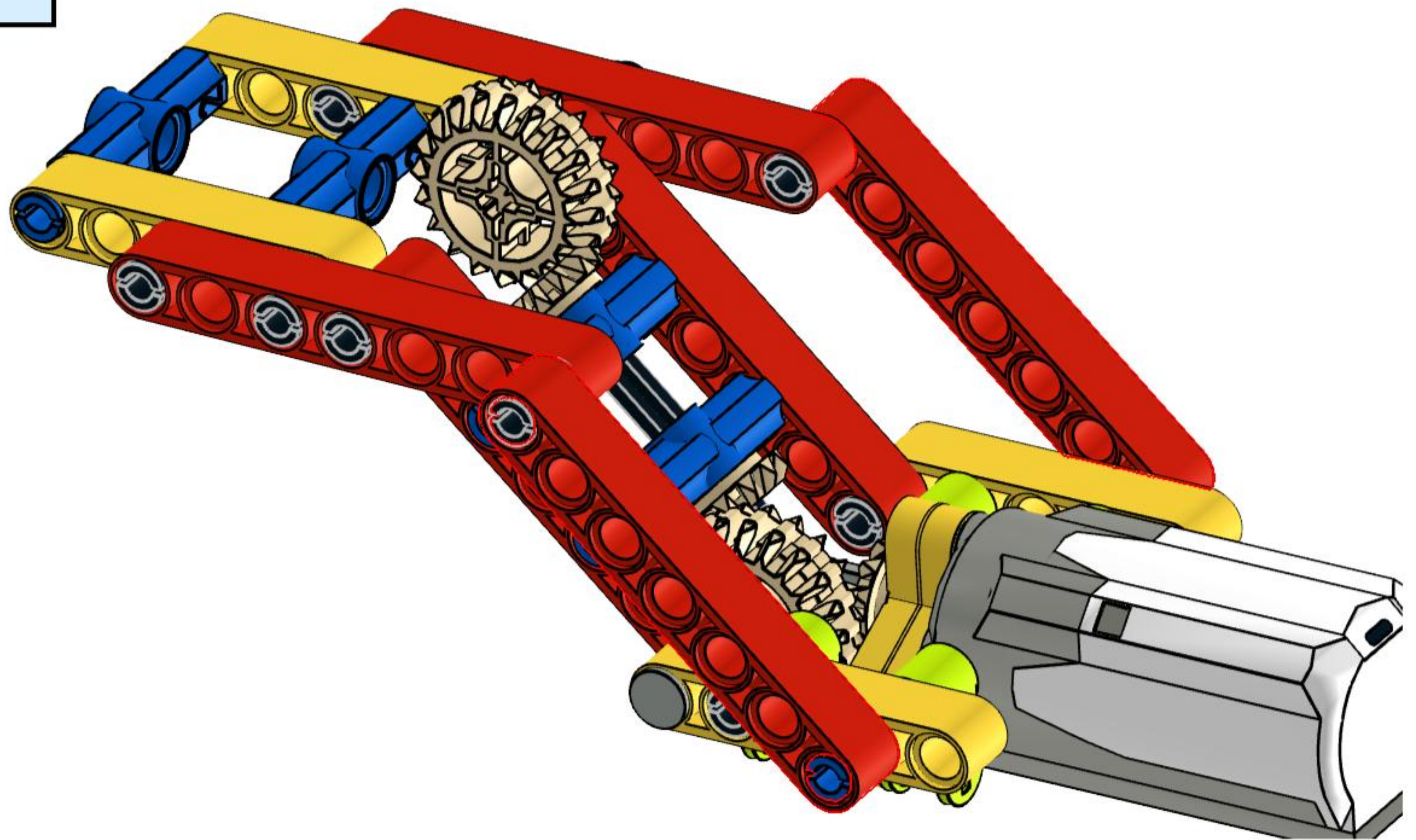
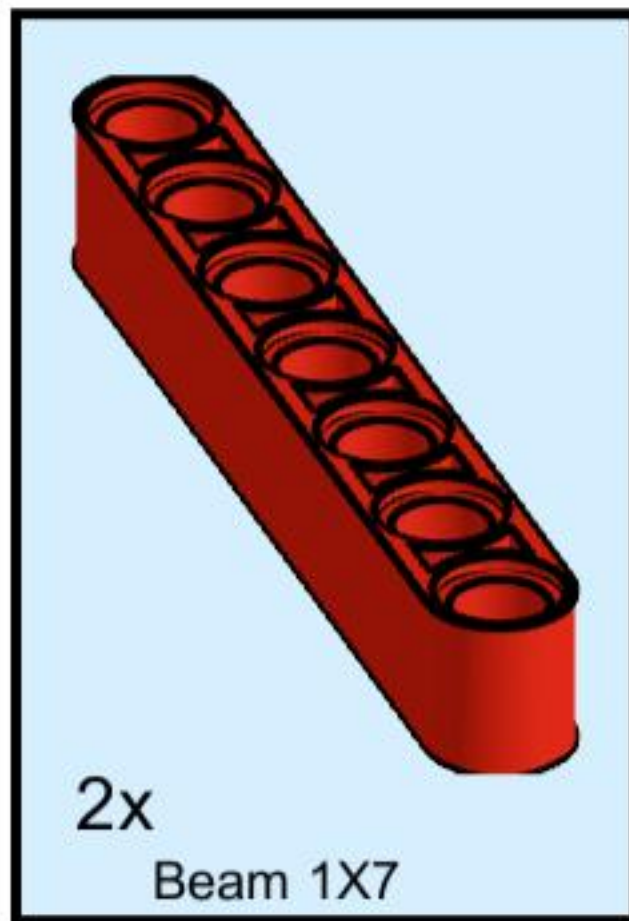
12



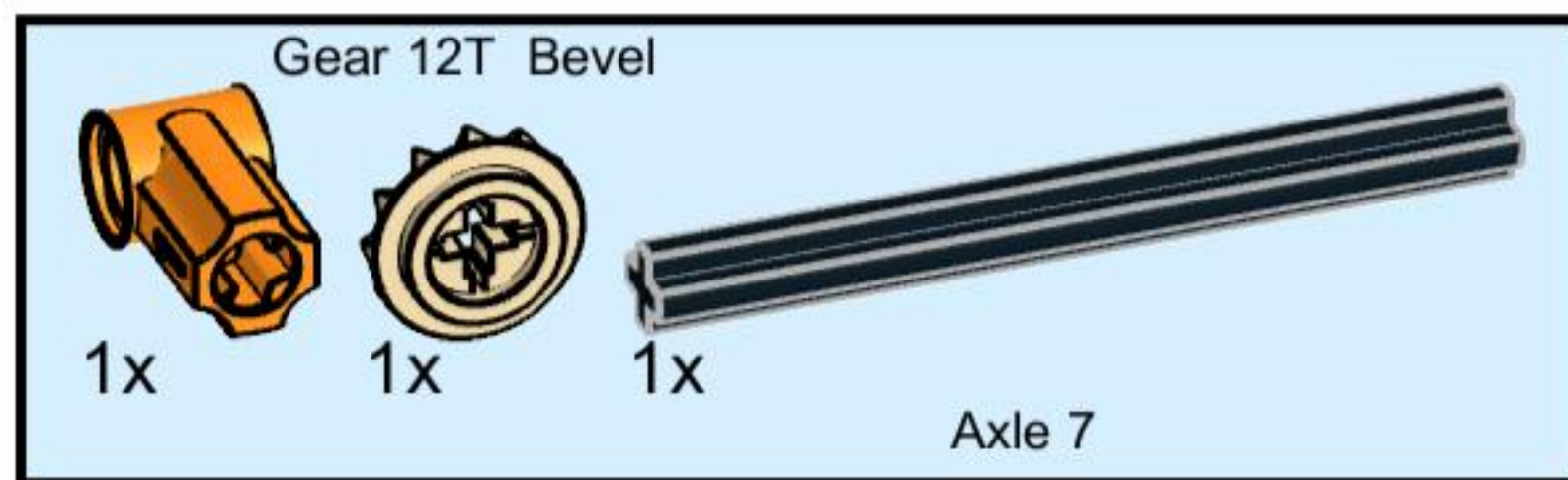
13



14



15



Axle and Pin
connector Angled
#1

