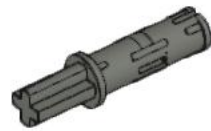
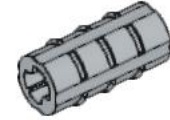




1x
3708
Black



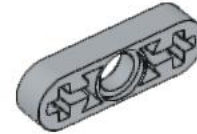
2x
11214
Dark Bluish Gray



1x
6538b
Light Bluish Gray



2x
32523
Dark Bluish Gray



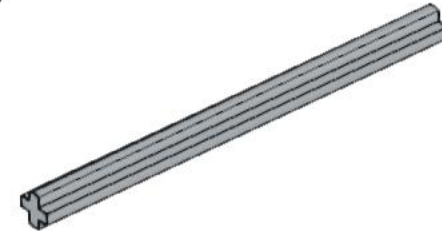
1x
6632
Light Bluish Gray



1x
50451
Black



2x
4716
Light Gray



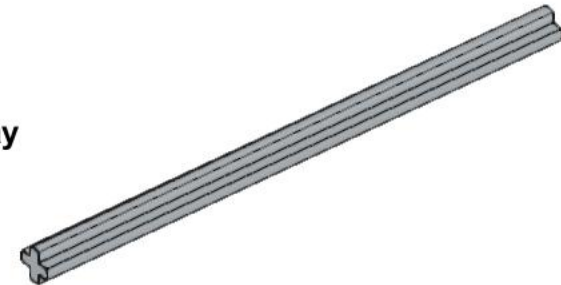
1x
44294
Light Bluish Gray



1x
4265c
Light Bluish Gray



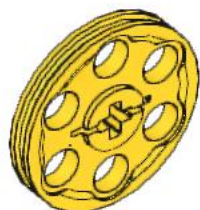
1x
3713
Light Bluish Gray



1x
60485
Light Bluish Gray



1x
3713
Red



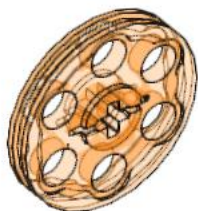
1x
4185
Yellow



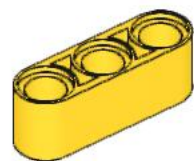
1x
4265c
Yellow



1x
6632
Yellow

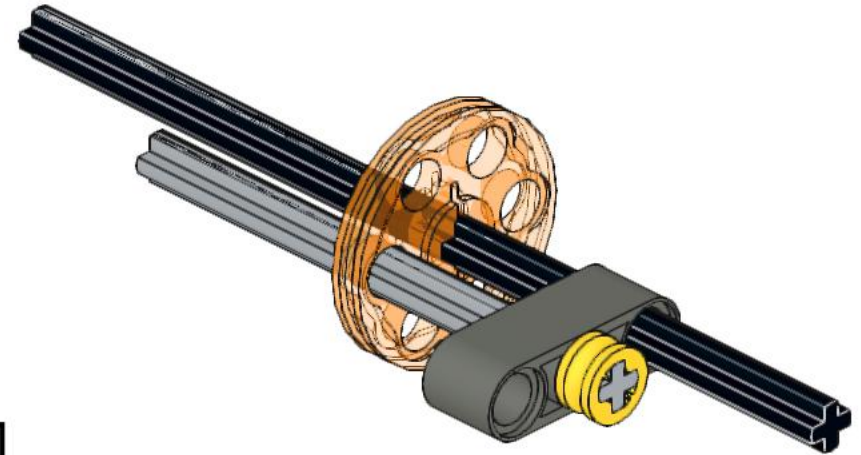
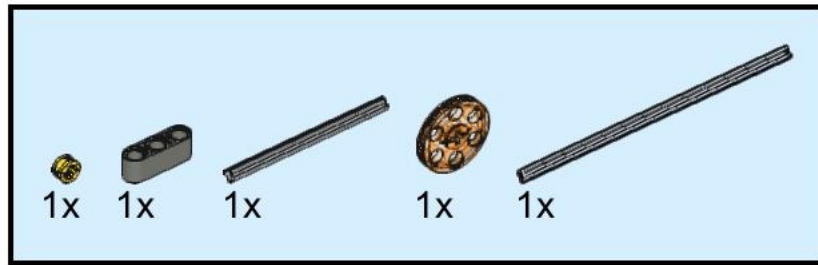


2x
4185
Trans-Neon Orange

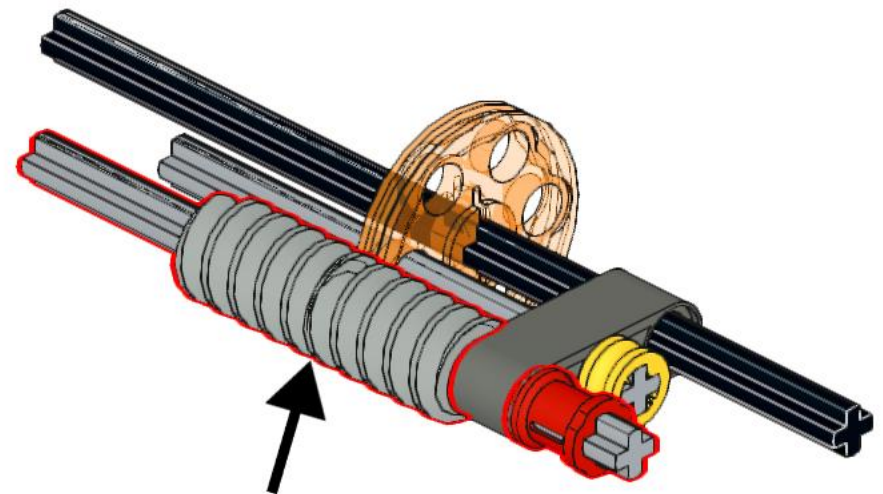
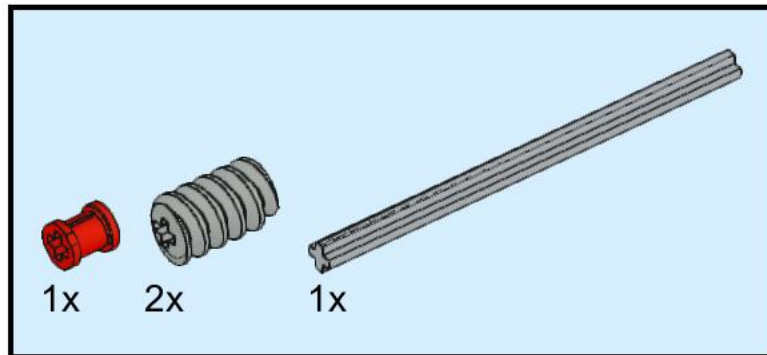


1x
32523
Yellow

1

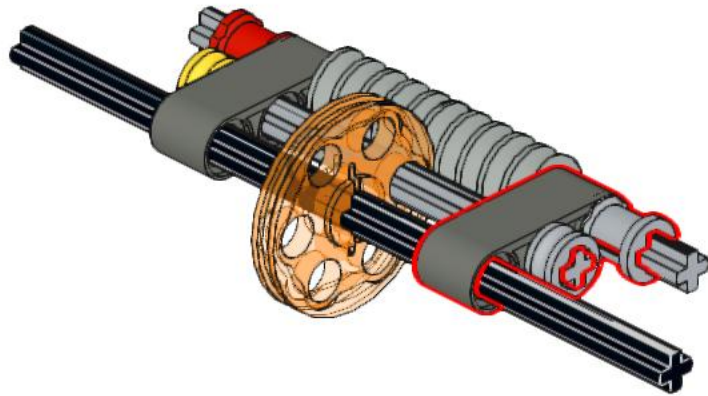
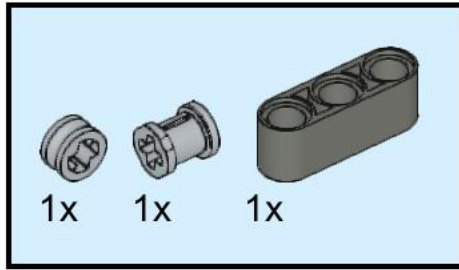


2

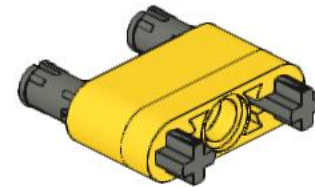
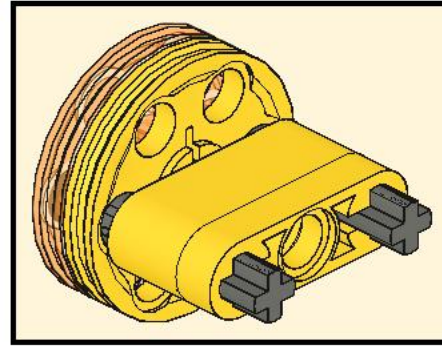
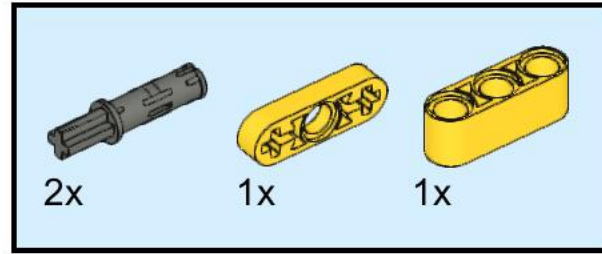


Make sure the 2 worm gears mesh continuously

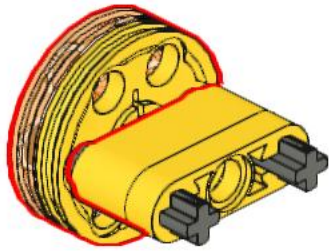
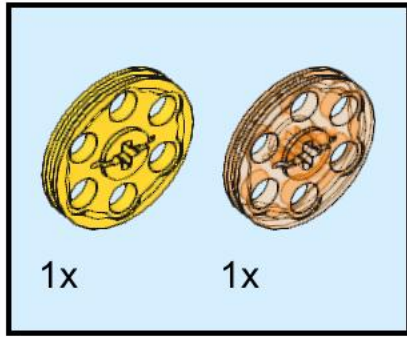
3



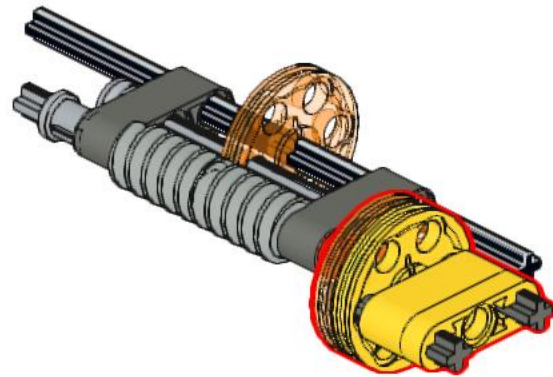
4



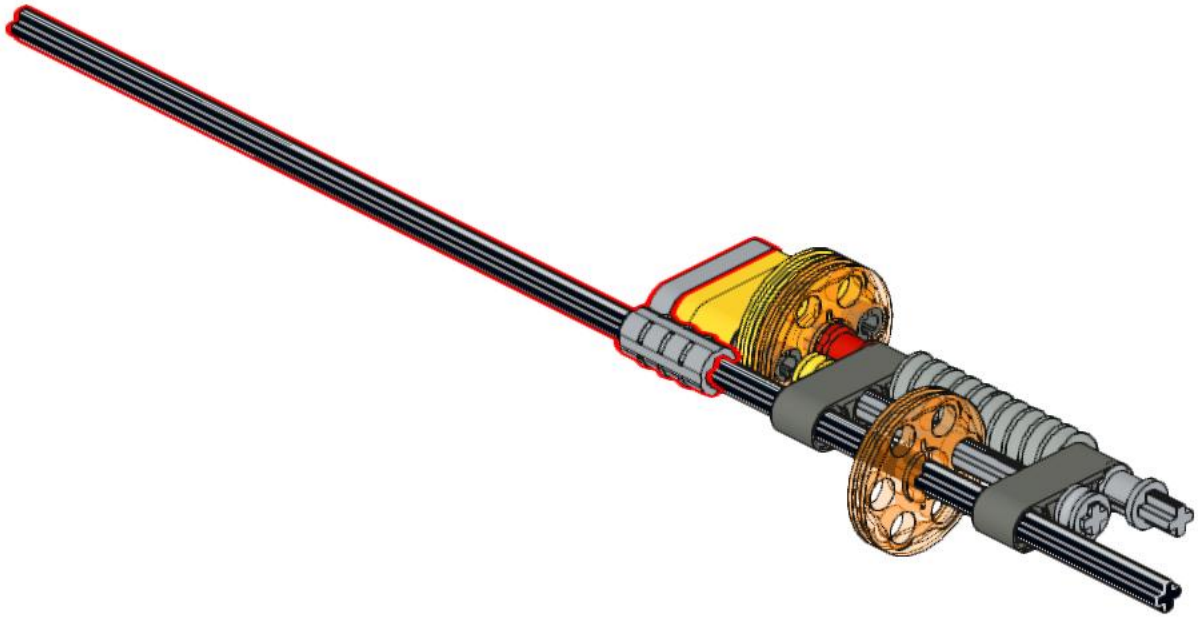
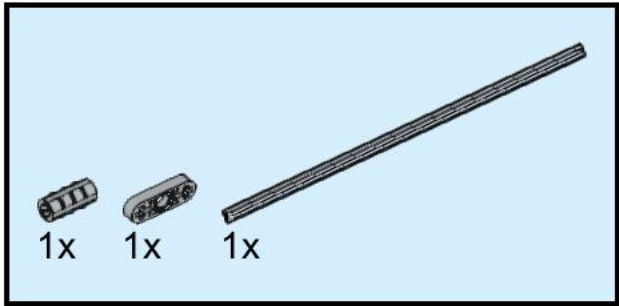
5



6



7





Screw Thin Beam 3 (blue) onto XL-320. Screw XL-320 to mount onto Beam 5. Thread Axle 12 through Beam 7



Connect Motor Drive mount onto Thin Beam 3 (blue). Use Axle Connector to join lower and upper Axle 12 parts